



## **Valves & Couplers**

*Go With The Flow. Think Norwesco.*

## Bolted Ball Valves

- Manufactured from glass re-inforced polypropylene for strength and durability – will never rust or corrode.
- Self-aligning ball rotates freely against Teflon® seats.
- Unique body-to-flange design allows for low torque on/off operation.
- Viton O-ring stem seal and EPDM O-ring body seal.
- Available with blue Norwesco handle or blank yellow handle.
- Pressure rated at 125 PSI @ 70°F.
- All valves tested by air pressure under water.

### Recommended Operating Pressure:

$\frac{1}{2}$ " thru 3" – 100 PSI @ 0°F • 125 PSI @ 70°F • 70 PSI @ 150°F

4" – 70 PSI @ 0°F • 90 PSI @ 70°F • 50 PSI @ 150°F

Item Code	Description	Blue Handle Part Number	Yellow Handle Part Number	Standard Packaging
A	$\frac{1}{2}$ " Full Port	60540	61115	24
A	$\frac{3}{4}$ " Full Port	60541	61116	24
A	1" Standard Port	60542	61117	24
A	1" Full Port	60543	61118	24
A	1 $\frac{1}{4}$ " Standard Port	61734	61119	24
A	1 $\frac{1}{4}$ " Full Port	60527	61120	24
A	1 $\frac{1}{2}$ " Full Port	60526	61121	24
D	1 $\frac{1}{2}$ " Full Port Nozzle	60544	61125	12
A	2" Standard Port	60529	61122	24
C	2" Standard Port M x F	62046	–	24
D	2" Standard Port Nozzle	60545	61126	12
B	2" Full Port	60528	61123	12
C	2" Full Port M x F	61876	–	12
D	2" Full Port Nozzle	60546	61127	9
B	3" Full Port	61720	61124	8
C	3" Full Port M x F	62047	–	8
E	4" Full Port	62787	62788	4

## Compact Bolted Ball Valves

- Male pipe thread end flange and cam action coupler end flange eliminate the need for additional fittings.
- Manufactured from glass re-inforced polypropylene for strength and durability – will never rust or corrode.
- Self-aligning ball rotates freely against Teflon® seats.
- Unique body-to-flange design allows for low torque on/off operation.
- Viton O-ring stem seal and EPDM O-ring body seal.
- Available with blue Norwesco handle or blank yellow handle.
- Pressure rated at 125 PSI @ 70°F.
- All valves tested by air pressure under water.

### Recommended Operating Pressure: 100 PSI @ 0°F • 125 PSI @ 70°F • 70 PSI @ 150°F

Item Code	Description	Blue Handle Part Number	Yellow Handle Part Number	Standard Packaging
F	2" Full Port M x F	62286	62308	12
G	2" Full Port F x F	62287	62309	12
H	2" Full Port M x M Coupler	62288	62310	12
I	2" Full Port F x M Coupler	62314	62313	12

Replacement parts available. See page 13.



## Single Union Ball Valves

- Manufactured from polypropylene.
- Teflon® seats.
- EPDM O-rings (viton kits available).
- Pressure rated at 125 PSI @ 70°F.
- All valves tested by air pressure under water.

*Recommended Operating Pressure: 100 PSI @ 0°F • 125 PSI @ 70°F • 70 PSI @ 150°F*

Item Code	Description	Part Number	Standard Packaging
A	½" Single Union	60409	24
A	¾" Single Union	60410	24
A	1" Single Union	60411	24
A	1¼" Single Union	60412	12
A	1½" Single Union	60413	12
A	2" Single Union	60414	12
A	3" Single Union	60415	4
B	1" 45° Nozzle Valve	60479	24



A



B

## Multi-Port Ball Valves

- Manufactured from polypropylene.
- Teflon® seats.
- EPDM O-rings (viton kits available).
- Pressure rated at 125 PSI @ 70°F.
- All valves tested by air pressure under water.
- Three position settings: bottom-to-right, bottom-to-left or off.

*Recommended Operating Pressure: 100 PSI @ 0°F • 125 PSI @ 70°F • 70 PSI @ 150°F*

Item Code	Description	Part Number	Standard Packaging
C	¾" True Union (Full Port)	60417	24
D	2" Multi-port (Standard Port)	60418	12



C



D

## Stainless Steel Ball Valves

- Manufactured from 316 stainless steel.
- Full port construction.
- Water, oil and gas rated to 1000 PSI.
- Locking handle.
- Teflon® seats and seals.
- Polished stainless steel ball for precise operation.
- Tested by air pressure under water.

*Recommended Operating Pressure: 1,000 PSI @ -20°F • 1,000 PSI @ 100°F • 200 PSI @ 350°F*

Item Code	Description	Part Number
E	¾" Full Port	60480
E	½" Full Port	60481
E	¾" Full Port	60482
E	1" Full Port	60483
E	1¼" Full Port	60484
E	1½" Full Port	60485
E	2" Full Port	60487
E	3" Full Port	60488



E

Replacement parts available. See page 14.

## Cam Action Couplers and Adapters

- Manufactured from glass re-inforced polypropylene.
- Smooth operating 304 stainless steel cam arms and pins.
- Standard with EPDM gaskets.
- Interchangeable with other couplers and adapters.
- Pressure rating: 1/2" to 2" 125 PSI @ 70°F; 3" and 4" 90 PSI @ 70°F.

### Recommended Operating Pressure:

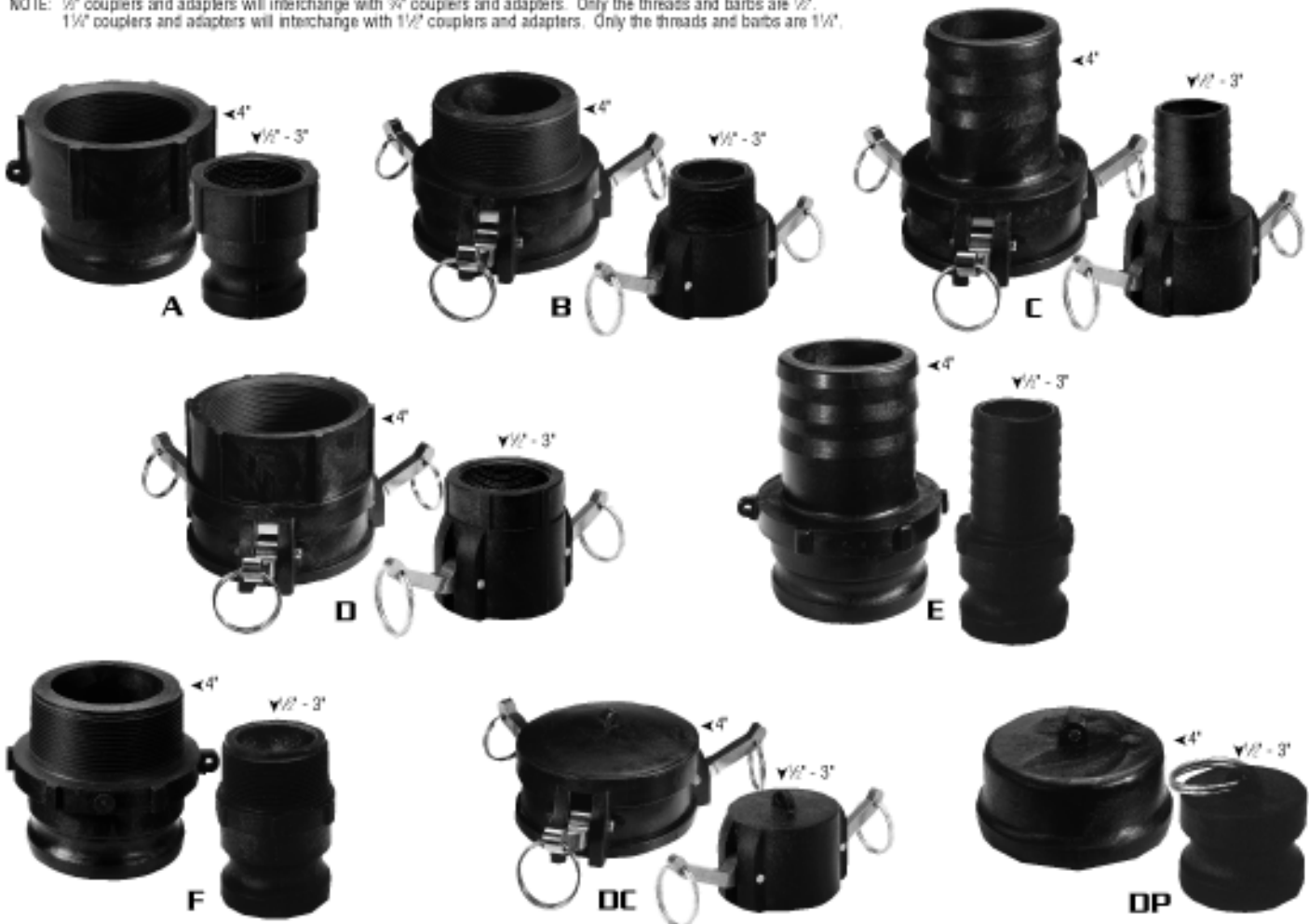
1/2" thru 2" - 100 PSI @ 0°F • 125 PSI @ 70°F • 70 PSI @ 150°F

3" and 4" - 70 PSI @ 0°F • 90 PSI @ 70°F • 50 PSI @ 150°F

Item Code	Description	Size and Part Number							
		1/2"	3/4"	1"	1 1/2"	1 1/2"	2"	3"	4"
A	Male Adapter - Female Thread	61199	61207	61215	61223	61231	61239	61247	62789
B	Female Coupler - Male Thread	61255	61259	61263	61267	61271	61275	61279	62790
C	Female Coupler - Hose Shank	61256	61260	61264	61268	61272	61276	61280	62791
D	Female Coupler - Female Thread	61257	61261	61265	61269	61273	61277	61281	62792
E	Male Adapter - Hose Shank	61203	61211	61219	61227	61235	61243	61251	62793
F	Male Adapter - Male Thread	61204	61212	61220	61228	61236	61244	61252	62794
DC	Dust Cap for Male Adapter	61258	61258	61266	61274	61274	61278	61282	62795
DP	Dust Plug for Female Coupler	61214	61214	61222	61238	61238	61246	61254	62796

Standard Packaging: 1/2" thru 3" = 24; 4" = 8

NOTE: 1/2" couplers and adapters will interchange with 3/4" couplers and adapters. Only the threads and barbs are 1/2".  
1 1/2" couplers and adapters will interchange with 1 1/2" couplers and adapters. Only the threads and barbs are 1 1/2".



WARNING: Do not release cam arms when liquid in the line is under pressure.

Replacement parts available. See page 14.

## 90° Cam Action Couplers and Adapters

- Manufactured from glass re-inforced polypropylene.
- Reduces the number of joints in piping applications.
- Smooth operating 304 stainless steel cam arms and pins.
- Standard with EPDM gaskets.
- Interchangeable with other couplers and adapters.
- Pressure rating 125 PSI @ 70°F.

*Recommended Operating Pressure: 100 PSI @ 0°F • 125 PSI @ 70°F • 70 PSI @ 150°F*

Item Code	Description	Size and Part Number	
		1½"	2"
90°A	Male Adapter with Female Thread	61293	61296
90°B	Female Coupler with Hose Shank	61299	61301
90°C	Female Coupler with Female Thread	61300	61302
90°D	Male Adapter with Male Thread	61289	61291



Standard Packaging: 24

**WARNING:** Do not release cam arms when liquid in the line is under pressure.



## Switch Adapters

- Manufactured from glass re-inforced polypropylene.
- Allows quick changing of spray nozzles.
- Self-aligning grooves.

*Recommended Operating Pressure: 100 PSI @ 0°F • 125 PSI @ 70°F • 70 PSI @ 150°F*

Item Code	Description	Part Number	Standard Packaging
E	¾" x ¼"	61326	24
E	¾" x ⅜"	61327	24

Switch adapters may be used with female couplers – ⅜" #61255 or ⅜" #61259. See page 3.

## King Nipples and Hose Barbs

- King Nipples manufactured from glass re-inforced polypropylene.
- Hose Barbs manufactured from polypropylene.

*Recommended Operating Pressure: 100 PSI @ 0°F • 125 PSI @ 70°F • 70 PSI @ 150°F*

### King Nipples

Item Code	Description	Part Number	Standard Packaging
F	1½"	61319	24
F	2"	61861	24
G	3"	61321	24
G	4"	62468	24



### Hose Barbs

Item Code	Description	Part Number	Standard Packaging
H	1½"	61303	—
H	¾"	61304	—
H	1"	61305	—
	1½" MPT x 1" HB Elbow	62469	—

Replacement parts available. See page 14.

## Flange Ball Valves / Fittings

- Quick and easy assembly. No pipe tape or sealant necessary.
- Positive seals.
- Easy on/off hose connections.
- 360° orientation.
- Valves and fittings are manufactured from glass re-inforced polypropylene for strength and durability – will never rust or corrode.



### Valves

- Self-aligning ball rotates freely against Teflon® seats.
  - Unique body-to-flange design allows for low torque on/off operation.
  - Viton O-ring stem seal and EPDM O-ring body seal.
- Available with blue Norwesco handle or blank yellow handle.
- Pressure rated at 125 PSI @ 70°F.
- All valves tested by air pressure under water.



*Recommended Operating Pressure: 100 PSI @ 0°F • 125 PSI @ 70°F • 70 PSI @ 150°F*

Item Code	Description	Blue Handle Part Number	Yellow Handle Part Number	Standard Packaging
A	1" Full Port Flange x Flange	63027	63028	24
A	2" Full Port Compact Flange x Flange	63122	63123	12
A	3" Full Port Flange x Flange	63124	63125	8

### Stainless Steel

#### Worm Screw Hose Clamps For Flange Fittings



Item Code	Description	Part Number
B	1"	62932
B	2"	62933
B	3"	62934

#### EPDM Flange Gasket For Flange Fittings



Item Code	Description	Part Number
C	1"	62935
C	2"	61574
C	3"	61575

Recommended Operating Pressure: 120 PSI @ 0°F • 150 PSI @ 70°F • 90 PSI @ 150°F

### 1" Fittings

Item Code	Description	Part Number
D	1" Flange Tee	62912
E	1" Flange Elbow	62913
F	1" Flange Coupling	62914
G	1" Flange x 3/4" MPT	63098
G	1" Flange x 1/4" MPT	63099
G	1" Flange x 1" MPT	62915
H	1" Flange x 1" FPT	62916
I	1" Flange x 3/4" HB	62917
I	1" Flange x 1" HB	62918
I	1" Flange x 1 1/4" HB	62919
J	1" Flange x 3/4" HB 90°	62920
J	1" Flange x 1" HB 90°	62921
J	1" Flange x 1 1/4" HB 90°	62922
K	1" Flange Cross	62923
L	1" Flange Plug	62924
M	1" Flange Plug with 1/4" FPT	62925



### 2" Fittings

Item Code	Description	Part Number
D	2" Flange Tee	63100
E	2" Flange Elbow	63101
F	2" Flange Coupling	63102
G	2" Flange x 2" MPT	63103
H	2" Flange x 2" FPT	63104
I	2" Flange x 2" HB	63106
I	2" Flange x 1 1/2" HB	63105
J	2" Flange x 1 1/2" HB 90°	63107
J	2" Flange x 2" HB 90°	63108
K	2" Flange Cross	63109
L	2" Flange Plug	63110
N	2" Flange x 1" Flange Reducing Coupling	62927
O	2" Flange x 2" Male Coupler	62926



### 3" Fittings

Item Code	Description	Part Number
D	3" Flange Tee	63111
E	3" Flange Elbow	63112
F	3" Flange Coupling	63113
G	3" Flange x 3" MPT	63114
I	3" Flange x 2" HB	63115
I	3" Flange x 3" HB	63116
J	3" Flange x 2" HB 90°	63117
J	3" Flange x 3" HB 90°	63118
K	3" Flange Cross	63119
L	3" Flange Plug	63120
N	3" Flange x 2" Flange Reducing Coupling	62928
O	3" Flange x Male Coupler	63121

## Schedule 80 Threaded Polypropylene Fittings

- Manufactured from glass re-inforced polypropylene for strength and durability.
- Schedule 80 design.
- Pressure rated to 150 PSI @ 70°F

*Recommended Operating Pressure: 120 PSI @ 0°F • 150 PSI @ 70°F • 90 PSI @ 150°F*



### Tees

Item Code	Description	Part Number
A	3/8"	62464
A	1/2"	62209
A	3/4"	62210
A	1"	62211
A	1 1/4"	62212
A	1 1/2"	62213
A	2"	62190
A	3"	62214

### 90° Pipe Elbows

Item Code	Description	Part Number
B	3/8"	62465
B	1/2"	62215
B	3/4"	62216
B	1"	62217
B	1 1/4"	62218
B	1 1/2"	62219
B	2"	62191
B	3"	62220

### 45° Street Elbows

Item Code	Description	Part Number
C	3/8"	62907
C	1"	62908
C	1 1/4"	62909
C	1 1/2"	62910
C	2"	62911



### 90° Street Elbows

Item Code	Description	Part Number
D	3/8"	62460
D	1/2"	62243
D	3/4"	62244
D	1"	62245
D	1 1/4"	62246
D	1 1/2"	62247
D	2"	62199
D	3"	62248

### Crosses

Item Code	Description	Part Number
E	3/8"	62262
E	1"	62263
E	1 1/4"	62264
E	1 1/2"	62265
E	2"	62202

### Pipe Couplings

Item Code	Description	Part Number
F	3/8"	62461
F	1/2"	62237
F	3/4"	62238
F	1"	62239
F	1 1/4"	62240
F	1 1/2"	62241
F	2"	62194
F	3"	62242





### Pipe Nipples

Item Code	Description	Part Number
	3/8" x Short	62459
	1/2" x Short	62221
	1/2" x 3"	62222
	3/4" x Short	60554
G	3/4" x 4"	62223
H	3/4" x 6"	62224
	1" x Short	60555
G	1" x 4"	62225
H	1" x 6"	62226
	1 1/4" x Short	60556
G	1 1/4" x 4"	62227
H	1 1/4" x 6"	62228
	1 1/2" x Short	60547
G	1 1/2" x 4"	62229
H	1 1/2" x 6"	62230
	2" x Short	60548
G	2" x 4"	62192
H	2" x 6"	62193
	3" x Short	61769
H	3" x 6"	62232
	4" x Short	62467

### Reducer Nipples

Item Code	Description	Part Number
I	1/2" x 3/8"	62455
I	3/4" x 1/2"	62233
I	1" x 1/2"	62456
I	1" x 3/4"	62234
I	1 1/4" x 3/4"	62457
I	1 1/4" x 1"	62235
I	1 1/2" x 1"	62458
I	1 1/2" x 1 1/4"	62236
I	2" x 1 1/4"	60549
I	3" x 2"	61768
I	4" x 3"	62938

### Reducer Bushings

Item Code	Description	Part Number
J	3/8" x 1/4"	62466
J	1/2" x 1/4"	62267
J	1/2" x 3/8"	62268
J	3/4" x 1/8"	62269
J	3/4" x 1/4"	62270
J	3/4" x 3/8"	62271
J	3/4" x 1/2"	62272
J	1" x 1/8"	62273
J	1" x 1/4"	62274
J	1" x 1/2"	62275
J	1" x 3/4"	62276
J	1 1/4" x 3/8"	62277
J	1 1/4" x 1"	62278
J	1 1/2" x 3/4"	62279
J	1 1/2" x 1"	62280
J	1 1/4" x 1 1/4"	62281
J	2" x 3/4"	62195
J	2" x 1"	62196
J	2" x 1 1/4"	62197
J	2" x 1 1/2"	62198
J	3" x 1 1/2"	62282
J	3" x 2"	60330



### Pipe Caps

Item Code	Description	Part Number
K	1/2"	62462
K	3/4"	62250
K	1"	62251
K	1 1/4"	62463
K	1 1/2"	62253
K	2"	62200
K	3"	62254

### Pipe Plugs

Item Code	Description	Part Number
L	1/2"	62255
L	3/4"	62256
L	1"	62257
L	1 1/4"	62258
L	1 1/2"	62259
L	2"	62201
L	3"	62260

## Y-Line Strainers

- Manufactured from glass re-inforced polypropylene.
- Protects and prevents clogging of pipelines, pumps and spray tips.
- Easy access for cleaning.
- Sizes from ½" to 3".
- Pressure rated at 90 PSI @ 70°F, 3" - 70 PSI @ 70°F.
- 6 to 80 mesh 304 stainless steel screens. Screen for 3" is polypropylene reinforced.
- Standard with EPDM gaskets.
- 3" strainer features a ½" drain plug in bottom of cap.

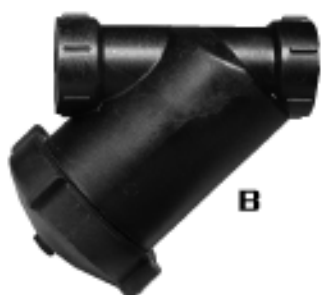
### Recommended Operating Pressure:

½" thru 2" - 70 PSI @ 0°F • 90 PSI @ 70°F • 50 PSI @ 150°F

3" - 55 PSI @ 0°F • 70 PSI @ 70°F • 40 PSI @ 150°F



A



B



**MESH SCREEN**  
for 3" Y-Line Strainer

Item Code	Description	Part Number	Standard Packaging
A	½" with 20 Mesh Screen	61472	12
A	½" with 40 Mesh Screen	61473	12
A	½" with 80 Mesh Screen	61474	12
A	¾" with 20 Mesh Screen	61475	12
A	¾" with 40 Mesh Screen	61476	12
A	¾" with 80 Mesh Screen	61477	12
A	1" with 20 Mesh Screen	61478	12
A	1" with 40 Mesh Screen	61479	12
A	1" with 80 Mesh Screen	61480	12
A	1¼" with 20 Mesh Screen	61738	12
A	1¼" with 40 Mesh Screen	61740	12
A	1¼" with 80 Mesh Screen	61741	12
A	1½" with 20 Mesh Screen	61488	12
A	1½" with 40-20 Mesh Screen	61489	12
A	1½" with 80-20 Mesh Screen	61490	12
A	2" with 20 Mesh Screen	61493	12
A	2" with 40-20 Mesh Screen	61494	12
A	2" with 80-20 Mesh Screen	61495	12
B	3" with 6 Mesh Screen	62337	2
B	3" with 12 Mesh Screen	62338	2
B	3" with 20 Mesh Screen	62339	2
B	3" with 40 Mesh Screen	62340	2

## T-Line Strainers

- Manufactured from polypropylene.
- Sizes in ½", ¾" and 1".
- Pressure rated at 100 PSI @ 70°F.
- 20 to 80 mesh 304 stainless steel screens.

### Recommended Operating Pressure: 80 PSI @ 0°F • 100 PSI @ 70°F • 56 PSI @ 150°F



C

Item Code	Description	Part Number	Standard Packaging
C	½" with 20 Mesh Screen	61459	12
C	½" with 40 Mesh Screen	61460	12
C	½" with 80 Mesh Screen	61461	12
C	¾" with 20 Mesh Screen	61464	12
C	¾" with 40 Mesh Screen	61465	12
C	¾" with 80 Mesh Screen	61466	12
C	1" with 20 Mesh Screen	61469	12
C	1" with 40 Mesh Screen	61470	12
C	1" with 80 Mesh Screen	61471	12

Replacement parts available. See page 14.



**A**



**B**



**C**



**D**



**E**

## High Density Polyethylene Lids

Description

Description	Item Code	Part Number
16" Lid and ring with 4" center lid/air vent		60038
16" Lid with 4" center lid/air vent	A	60011
16" Ring only		60012
16" Lid, ventless with ring		60367
16" Lid, ventless	B	60365
Gasket for 16" non-hinged lid		62941
4" Lid (air vent assembly for 16" lid)		60019
8" Lid, ring and air vent		60032
8" Lid with air vent	C	60002
8" Ring only		60003
Air vent for 8" lid only (snap on)		61727
5" Lid with ball check air vent (for tanks manufactured after 2/1/00)	D	62801
5" Lid with ball check air vent (for tanks manufactured prior to 2/1/00)	D	60322
5" Lid (for tanks manufactured after 2/1/00)	E	62476
Gasket for 5" lid, 60322 or 62801		60366

## Hinged Lid

This lid is manufactured from a co-polymer material for strength, durability and excellent chemical resistance. Our unique locking tab allows you to easily slip a padlock through it and secure your lid from theft or spills. The lid is interchangeable with a standard 16" lid and ring assembly if you choose to replace your existing lid.

Specific features of the lid:

- Easy open/close – opens a full 180 degrees
- Comes complete with a baffle vent assembly, allowing for adequate venting when bottom filling your tank.
- Unique locking tab
- All parts of lid may be ordered as repair parts

Description

Part Number

Complete lid assembly	62532
-----------------------	-------

## Hinged Lid Repair Parts

16" hinged lid with vent assembly, without ring	62826
Vent assembly	62827
Ring assembly	62828
Hinge assembly	62829
EPDM O-ring for lid	62830
Neoprene O-ring for ring	62831



## Repair Kit

- Includes a specially formulated welding wire containing copolymers and adhesives.
- Wire may be used to effectively repair linear polyethylene.
- Easy to use and requires only 110 volt power.

Item Code	Description	Part Number
F	Poly welding gun & rod	60221
	Poly welding rod 30'	61879

## Accessories

Item Code	Description	Part Number
	Stainless steel screws for 8" and 16" rings	60081
G	18' Lanyard for 8" lid and 16" non-hinged lid (tethers lid to tank)	62531

## Polypropylene Bulkhead Fittings / EPDM Or Viton Gaskets

NORWESCO'S polypropylene fittings come standard with an EPDM gasket.

Viton gaskets are available as an option when EPDM may not be suitable for your application.



Description	Hole Size Required in Tank for Installation	Part Number	Item Code
1/2" Heavy duty double threaded polypropylene fitting	1 1/2"	62834	A
1/2" Double threaded polypropylene fitting	1 1/2"	60401	A
EPDM gasket for 1/2" and 3/4" (60401)		60402	
Viton gasket for 1/2" and 3/4" (60401)		60360	
3/4" Heavy duty double threaded polypropylene fitting	1 1/2"	62798	A
EPDM gasket 3/4" (62798)		62799	
Viton gasket for 3/4" (62798)		62800	
1" Double threaded polypropylene fitting	2 1/2"	60427	A
1 1/2" Double threaded polypropylene fitting	2 1/2"	60403	A
1 1/2" Anti-vortex polypropylene fitting	2 1/2"	63065	D
EPDM gasket for 1" and 1 1/2"		60404	
Viton gasket for 1" and 1 1/2"		60361	
Anti-vortex adapter for 1 1/2"		62398	
1 1/2" Double threaded polypropylene fitting	3"	60124	A
2" Double threaded polypropylene fitting	3"	60405	A
2" Double threaded 316 stainless steel fitting, less gasket	3"	61767	
EPDM gasket for 1 1/2" and 2" (60405 and 61767)		60406	
Type B Viton gasket for 1 1/2" and 2" (60405 and 61767)		60523	
2" Double threaded heavy duty polypropylene fitting with siphon tube	3 1/2"	60337	B
EPDM gasket for 2" (60337)		60336	
Type B Viton gasket for 2" (60337)		60008	
Siphon tube for 2" Bulkhead fitting		60335	
Anti-vortex adapter for 2" Bulkhead fitting		62399	
2" Polypropylene dust plug		60021	
3" Double threaded polypropylene fitting (hex nut as shown in photo C)	4 1/2"	62299	
3" Double threaded polypropylene fitting with 2" reducer and siphon tube	4 1/2"	60339	C
EPDM gasket for 3"		60331	
Type B Viton gasket for 3"		60351	
2" Polypropylene reducer for 3"		60330	
Siphon tube for 3"		60327	
4" Double threaded polypropylene fitting (hex nut as shown in photo C)	5 1/2"	62171	
EPDM gasket for 4"		62785	
Viton gasket for 4"		62786	
Siphon tube for 4"		62714	

## Bolted Fittings

### Polypropylene Bolted Fittings / EPDM or Viton Gaskets (Require two gaskets.)

Bolted polypropylene fittings are equipped with 316 stainless steel bolts and come standard with EPDM gaskets. Viton gaskets are available as an option for the fittings.

Description	Hole Size Required In Tank For Installation	Part Number	Item Code
3/4" Polypropylene bolted fitting with ss bolts and EPDM gaskets	1"	60502	A
1" Polypropylene bolted fitting with ss bolts and EPDM gaskets	1 1/4"	60505	A
EPDM gasket for 3/4" and 1"		60498	
Type B Viton gasket for 3/4" and 1"		60355	
1 1/2" Polypropylene bolted fitting with ss bolts and EPDM gaskets	1 3/4"	60513	A
2" Polypropylene bolted fitting with ss bolts and EPDM gaskets	2 1/4"	60516	A
EPDM gasket for 1 1/2" and 2"		60497	
Type B Viton gasket for 1 1/2" and 2"		60356	
3" Polypropylene bolted fitting with ss bolts and EPDM gaskets	3 1/4"	62471	
EPDM gasket for 3"		62048	
Type B Viton gasket for 3"		60602	



### Stainless Steel Bolted Fittings / EPDM or Viton Gaskets (Require two gaskets.)

Stainless steel bolted fittings are manufactured using 316 stainless steel for the body and bolts and they come standard with EPDM gaskets. Viton gaskets are available as an option for the fittings.

Description	Hole Size Required In Tank For Installation	Part Number	Item Code
3/4" 316 Stainless steel bolted fitting with EPDM gaskets	1"	61728	B
1" 316 Stainless steel bolted fitting with EPDM gaskets	1 1/4"	61729	B
EPDM gasket for 3/4" and 1"		60498	
Type B Viton gasket for 3/4" and 1"		60355	
1 1/2" 316 Stainless steel bolted fitting with EPDM gaskets	1 3/4"	61731	B
2" 316 Stainless steel bolted fitting with EPDM gaskets	2 1/4"	61732	B
2" Double threaded 316 Stainless steel bolted fitting with EPDM gaskets	2 1/4"	61760	C
EPDM gasket for 1 1/2" and 2"		60497	
Type B Viton gasket for 1 1/2" and 2"		60356	
3" 316 Stainless steel hex double threaded bolted fitting with EPDM gaskets	3"	60594	
3" 316 Stainless steel hex single threaded bolted anti-vortex fitting with EPDM gaskets	3"	60595	D
EPDM gasket for 3"		62048	
Type B Viton gasket for 3"		60602	



### Stainless Steel Double Threaded

#### Bolted Fittings / Cross-Linked Polyethylene Gasket (Require one gasket.)

Bolts are threaded into the back plate of the fitting so there are no welds or bolt holes as potential points of leakage. The fittings come standard without a gasket (with the exception of the 4") and require a single cross-linked polyethylene gasket installed on the inside of the tank.

Description	Hole Size Required In Tank For Installation	Part Number	Item Code
3/4" 316 Stainless steel double threaded bolted fitting less gasket	1 1/4"	63035	E
1" 316 Stainless steel double threaded bolted fitting less gasket	1 3/4"	62948	E
3/4" and 1" Cross-linked polyethylene gasket		62950	
1 1/2" 316 Stainless steel double threaded bolted fitting less gasket	2"	63036	E
1 1/2" Cross-linked polyethylene gasket		63041	
1 1/2" 316 Stainless steel double threaded bolted fitting less gasket	2 1/4"	63037	E
1 1/2" Cross-linked polyethylene gasket		63042	
2" 316 Stainless steel double threaded bolted fitting less gasket	2 3/4"	63038	E
2" Cross-linked polyethylene gasket		62848	
3" 316 Stainless steel double threaded bolted fitting less gasket	4 1/4"	63039	F
3" Cross-linked polyethylene gasket		63043	
4" 316 Stainless steel 8-bolt double threaded bolted fitting with gasket	5 1/4"	63069	
4" Cross-linked polyethylene gasket		63070	

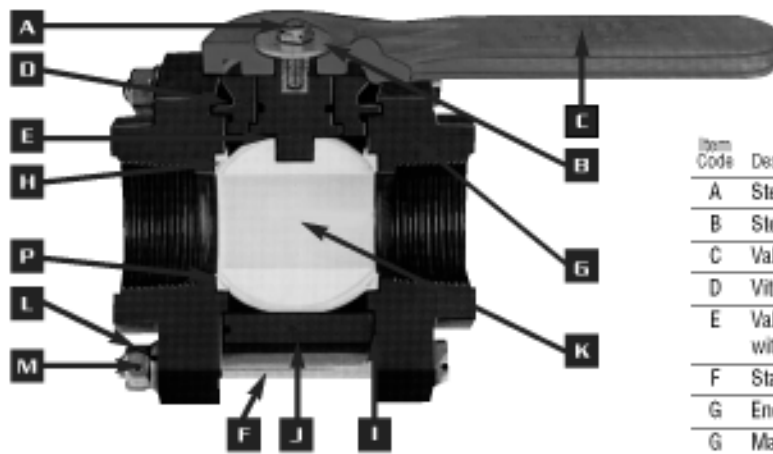
\*Custom hole saw

### Stainless Steel Single Threaded

#### Bolted Fittings / Cross-Linked Polyethylene Gasket (Require one gasket.)

Description	Hole Size Required In Tank For Installation	Part Number
2" 316 Stainless steel single threaded bolted fitting less gasket	2 3/4"	62847
2" Cross-linked polyethylene gasket		62848





### Replacement Part Item Codes

Item Code	Description	Item Code	Description
A	Stem Cap Screw	G	Flange End Flange with Teflon® Seat
B	Stem Flat Washer	H	Teflon® Seat
C	Valve Handle	I	Large Body EPDM O-Ring Seal
D	Viton Stem O-Ring(s)*	J	Valve Body
E	Valve Stem with Viton O-Ring(s)	K	Valve Ball
F	Stainless Steel Bolt	L	Stainless Steel Lock Washer
G	End Flange with Teflon® Seat	M	Stainless Steel Hex Nut
G	Male End Flange with Teflon® Seat	P	Seat O-Ring
G	Male Coupler End Flange with Teflon® Seat		

\*4" requires 2 stem o-rings.

### Bolted Ball Valve Replacement Parts

Item Code	Description	1/2" FP	3/4" FP	1" STD	1" FP	1 1/2" STD	1 1/2" FP	1 1/2" FP	2" STD	2" FP Compact	2" FP	3" FP	4" FP	1 1/2" FPNZ	2" STDNZ	2" FPNZ
A	Stem Cap Screw	61347	61347	61347	61347	61347	61348	61348	61348	61348	61349	61349	61349	61348	61348	61349
B	Stem Flat Screw	-	-	-	-	-	61350	61350	61350	61350	61351	61351	61351	61350	61350	61351
C-1	Yellow Blank Handle	61783	61783	61783	61784	61784	61785	61785	61785	61785	61786	61786	62838	61787	61787	61788
C-2	Norwesco Blue Handle	61721	61721	61721	61722	61722	61723	61723	61723	61723	61724	61724	62839	61725	61725	61726
D	Viton Stem O-Ring(s)*	61497	61497	61497	61497	61497	61425	61425	61425	61425	61447	61447	62817	61425	61425	61447
E	Valve Stem w/Viton O-Ring(s)	61359	61359	61359	61446	61446	61360	61360	61360	61360	61361	61361	62818	61360	61360	61361
F L M	Stainless Steel Bolt, Hex Nut & Lock Washer	61421	61421	61421	61422	61422	61423	61423	61423	61424	61424	62208	62819	61423	61423	61424
G	End Flange w/Teflon® Seat	62051	62052	62053	62054	62055	62056	62057	62059	62316	62060	62065	62820	62057	62059	62060
G	Male End Flange w/Teflon® Seat	-	-	-	-	-	-	-	62064	62317	62063	62066	-	-	-	-
G	Male Coupler End Flange w/Teflon® Seat	-	-	-	-	-	-	-	-	62318	-	-	-	-	-	-
G	Flange End Flange w/Teflon® Seat	-	-	-	62929	-	-	-	-	62930	-	62931	-	-	-	-
H	Teflon® Seat	62077	62077	62077	62076	62076	62075	62075	62075	62074	62074	62073	62821	62075	62075	62074
I	Large Body EPDM O-Ring Seal	61378	61378	61378	61379	61379	61380	61380	61380	62319	61381	61382	62822	61380	61380	61381
J	Valve Body	61383	61383	61383	61384	61384	61385	61385	61385	62315	61386	61387	62823	61385	61385	61386
K	Valve Ball	61388	61388	61388	61389	61389	61390	61390	61390	62312	61391	61392	62824	61390	61390	61391
N	Top Flange w/Teflon® Seat for Nozzle	-	-	-	-	-	-	-	-	-	-	-	-	62058	62061	62062
O	Nozzle Pipe	-	-	-	-	-	-	-	-	-	-	-	-	61400	61401	61401
P	Seat O-Ring	-	-	-	-	-	-	-	-	-	-	62114	-	-	-	-

### Multi-Port Ball Valve Replacement Parts

Size	Repair Kit-EPDM O-Rings and Teflon® Seats	Optional T-Ball (with 4 Openings)	Handles	Valve Stem with EPDM O-Ring
¾"	61733	60429	61735	60452
2"	60435	60428	61736	60456

### Single Union Replacement Parts

Size	Repair Kit-EPDM O-Rings (3) and Teflon® Seats (2)	Repair Kit-Optional Viton O-Ring (3)	Handles	Valve Stem with EPDM O-Ring
½"	60430	60437	60444	60451
¾"	60431	60438	60445	60452
1"	60432	60439	60446	60453
1¼"	60433	60440	60447	60454
1½"	60434	60441	60448	60455
2"	60435	60442	60449	60456
3"	60436	60443	60450	60457

### Stainless Steel Valve Replacement Parts

Description	¾"	¾"	¾"	1"	1½"	1½"	2"	3"
Repair Kit*	62374	62375	62376	62377	62378	62379	62380	62381
Handle	62369	62370	62370	62371	62371	62372	62372	62373

\*Kit includes 2 Teflon® seats, 1 Teflon® body seal and 2 Teflon® stem seals.

### Cam Action Coupler Replacement Parts

Description	½"	¾"	1"	1½"	1½"	2"	3"	4"
EPDM Gasket	61570	61570	61571	61572	61572	61574	61575	62797
Key Ring	61589	61589	61589	61589	61589	61589	61589	61589
Stainless Steel Pin	61582	61582	61582	61585	61585	61585	61584	61584
Stainless Steel Handle	61594	61594	61594	61595	61595	61595	61596	61596
Polypropylene Shims	61715	61715	61716	61717	61717	61718	61719	-

### Y-Line Strainer Replacement Parts

Description	¾"	¾"	1"	1½"	1½"	2"	3"
EPDM Gasket	61452	61452	61750	61750	61561	61561	-
YLS w/o Screen	61307	61308	61309	61748	61287	61288	62334
6 Mesh Screen	-	-	-	-	62306	62306	62231
12 Mesh Screen	-	-	-	-	62307	62307	62249
20 Mesh Screen	61449	61449	61749	61749	61508	61508	62252
40 Mesh Screen	61450	61450	61746	61746	61509	61509	62261
80 Mesh Screen	61451	61451	61747	61747	61510	61510	62400
EPDM Body O-Ring	-	-	-	-	-	-	62266
EPDM Plug O-Ring	-	-	-	-	-	-	62283
Cap only w/Plug & O-Ring	-	-	-	-	-	-	62335
Cap only	-	-	-	-	61567	61567	-

### T-Line Strainer Replacement Parts

Description	¾"	¾"	1"
EPDM Gasket	61537	61537	61537
TLS w/o Screen	61283	61284	61285
20 Mesh Screen	61404	61404	61404
40 Mesh Screen	61405	61405	61405
80 Mesh Screen	61406	61406	61406



### Manufacturing and Distribution

- |                              |                                 |                              |
|------------------------------|---------------------------------|------------------------------|
| B. St. Bonifacius, Minnesota | G. Owego, New York              | L. Hanford, California       |
| C. Lancaster, Ohio           | H. Washougal, Washington        | M. Edmonton, Alberta-Canada  |
| D. Griffin, Georgia          | I. Sheldon, Iowa                | N. Winnipeg, Manitoba-Canada |
| E. Shawnee, Oklahoma         | J. Washington Court House, Ohio | X. Albertville, Alabama      |
| F. Tooele, Utah              |                                 |                              |

### Norwesco Means Quality and Service

Norwesco is your complete source for the high-performance products required in agricultural and industrial fluid handling applications. We take pride in our ability to respond quickly and effectively to your fluid handling needs with same day order processing.

Our customer promise is three-fold:

- *Dependable Service*
- *High Quality Products*
- *Affordable Prices*

Go with the flow. Call Norwesco for your fluid handling needs.



Norwesco, Inc.

4365 Steiner Street  
P.O. Box 439  
St. Bonifacius, MN 55375-0439  
Tel (952) 446-1945  
Fax (800) 874-2371

[www.norwesco.com](http://www.norwesco.com)