



Liquid Storage Tanks

Think Tanks. Think Norwesco.

2004 Edition



NORWESCO tanks are manufactured to strict quality guidelines to ensure years of high-performance use. Rugged, impact-resistant, one-piece seamless polyethylene construction makes our tanks suitable for the storage and/or transport of most liquid fertilizers, herbicides, insecticides and fungicides as well as a wide range of industrial chemicals. NORWESCO tanks are manufactured using resins that meet FDA specifications to ensure safe storage of potable water.

Quality, price, product line and leading edge technology make NORWESCO North America's largest manufacturer of rotationally molded tanks. Standard NORWESCO tanks will be delivered to you with a fitting installed when applicable. NORWESCO tanks may be ordered without a fitting as well.

Vertical Storage Tanks	2	Inductor Stands	8
Horizontal Leg Tanks	3	Cone Bottom Tanks	9
Drainable Leg Tanks	3	Polyethylene Cone Bottom Stands	10
Elliptical Leg Tanks	3	Heavy Duty Cone Bottom Stands	10
Steel Supports & Accessories for Leg Tanks	4	Horizontal Box Tank	11
Mini Bulk Tanks	5	Sphere	11
Pickup Truck Tanks	5	Specialty Water Tanks	11
PCO Tanks	5	High Density Polyethylene Lids	12
Elliptical Tanks	6	Hinged Lid	12
Elliptical Tank Skids	6	Polyethylene Tank Repair Kits	12
Applicator Tanks	7	Polypropylene Bulkhead Fittings	13
Inductor Tanks	7	Polypropylene Bolted Fittings	14
Spot Sprayers	7	Stainless Steel Bolted Fittings	14
Applicator Saddle Assemblies	8		



Vertical Storage Tanks

Vertical storage tanks are most frequently used for bulk storage and mobile nursing applications. NORWESCO vertical tanks feature tie-down slots, built-in graduated gallon indicators, an offset fill-well and a self-vented, slosh-proof lid.

All NORWESCO vertical tanks are equipped with an outlet fitting and siphon tube.

Gallon Capacity	Diameter	Height	Fill Opening	Outlet/Drain Specification	Premium Weight Part No. White	Heavy Weight Part No. Blue
25 ∞	18"	29"	5"	3/4"	41867	—
50 ∞	18"	53"	5"	3/4"	41865	—
65 ∞	23"	42"	8"	1 1/4"	45192	—
75	23"	50"	8"	1 1/4"	41863	—
100	28"	43"	8"	1 1/4"	41861	—
105	23"	63"	8"	2"	40803	—
150	30"	56"	8"	1 1/4"	41859	—
165	31"	55"	16"	2"	40281	—
200	30"	72"	8"	2"	41856	—
210	31"	69"	16"	2"	47401	—
250	30"	89"	8"	2"	41854	—
300	36"	78"	16"	2"	40213	—
305	46"	49"	16"	2"	40302	—
500	48"	72"	16"	2"	40148	40150
550	67"	42"	16"	2"	40023	—
750	48"	102"	16"	2"	40606	—
1000	64"	79"	16"	2"	40152	40154
1100	87"	51"	16"	2"	40070	40081
1350	71"	87"	16"	2"	40861	—
1500	64"	115"	16"	2"	40144	40146
1550	87"	65"	16"	2"	40235	40236
1700	87"	72"	16"	2"	40010	40012
2100	87"	87"	16"	2"	40178	40241
2100	102"	69"	16"	2"	41399	—
2500	95"	89"	16"	2"	40051	40052
3000	95"	107"	16"	2"	40754	40755
4000	102"	125"	16"	3/2"	40312	—
4200	102"	131"	16"	2"	41403	—
5000	102"	152"	16"	3/2"	40164	40166
5800	141"	97"	16"	3/2"	40071	—
6000	102"	182"	16"	3/2"	40226	40233
6100	120"	139"	16"	3/2"	40659	40661
6500	120"	150"	16"	3/2"	40224	40232
7800	120"	176"	16"	3/2"	40663	40665
9000	141"	146"	16"	3/2"	40543	40231
10000	141"	160"	16"	3/2"	40545	40353
12000	141"	192"	16"	3" *	40539	40541
15000	141"	244"	16"	3" *	41334	41336

∞ Within UPS dimensional limits *316 Stainless Steel Bolted Fitting

Horizontal Leg Tanks

With the broadest leg tank line available, NORWESCO manufactures a size that will fit your needs. Used primarily for transport and nursing applications, NORWESCO'S leg tanks feature molded-in legs that act as "baffles" to reduce sloshing. Please refer to page 4 for support bands.

Gallon Capacity	Diameter	Length	Fill Opening	Outlet/Drain Specification	No. of Bands	Premium Weight Part No. White	Heavy Weight Part No. Blue
35 ∞	20"	29"	5"	3/4"	2 optional	45223	—
55 ∞	23"	33"	5"	3/4"	2 optional	41873	—
65 ∞	23"	43"	5"	3/4"	2 optional	45191	—
125	32"	41"	8"	2"	2 optional	40298	—
225	38"	49"	8"	2"	2 optional	40299	—
325	38"	68"	16"	2"	2 optional	40217	—
525	49"	71"	16"	2"	2 optional	40181	40193
725 *	49"	101"	16"	2"	3 required	40180	40194
1025 *	49"	139"	16"	2"	4 required	40089	40131
1325 *	66"	99"	16"	2"	4 required	41875	41877
5025 *	92"	190"	16" **	3"/2"	4 required	41879	41881

∞ Within UPS dimensional limits *Require full length support and bands **16" hinged lid



325 Gallon Horizontal Leg



1025 Gallon Horizontal Leg



Sloped For Complete Drainage ▲ **1010 Gallon Drainable Leg**

Drainable Leg Tanks

When complete drainage is necessary, these are the tanks of choice. They are designed primarily for use on fertilizer and chemical nurse trailers. All NORWESCO drainable tanks require full length bottom support as well as support bands. Please refer to page 4 for support bands.

Gallon Capacity	Width	Height	Length	Fill Opening	Outlet/Drain Specification	No. of Bands	Premium Weight Part No. White	Heavy Weight Part No. Blue
710 (horizontal)	47"	47"	104"	16"	2"	3 required	40655	40657
1010 (horizontal)	47"	47"	140"	16"	2"	4 required	40393	40395
1310 (horizontal)	66"	76"	99"	16"	—	4 required	41871	41872
1610 (elliptical)	69"	63"	140"	16"	—	4 required	40806	40808
2610 (elliptical)	90"	70"	140"	16"*	—	4 required	41382	41383
3210 (elliptical)	92"	74"	178"	16"*	—	4 required	40822	40824

*16" hinged lid

Elliptical Leg Tanks

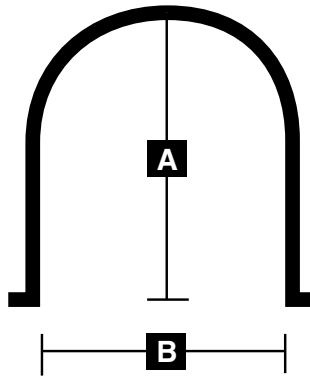
This elliptical tank style is designed to provide the greatest capacity with the lowest center of gravity, making it the best design available for transporting larger volumes. NORWESCO elliptical tanks feature molded-in legs and flow-through baffles which work together to reduce sloshing and provide increased stability during transport. All NORWESCO elliptical leg tanks require full length bottom support as well as support bands. Please refer to page 4 for support bands.

Gallon Capacity	Width	Height	Length	Fill Opening	Outlet/Drain Specification	Premium Weight Part No. White	Heavy Weight Part No. Blue
1035	79"	53"	89"	16"	2"	40191	—
1235	65"	52"	128"	16"	2"	40239	—
1635	71"	57"	142"	16"	2"	40387	40388
2035	84"	55"	142"	16"	2"	40618	40623
2635	90"	71"	140"	16"	3"/2"	40547	40283
3135	88"	76"	151"	16"	3"/2"	40686	40688
4035	92"	77"	192"	16" *	3"/2"	41267	41269

*16" hinged lid



2035 Gallon Elliptical Leg



Steel Supports and Accessories

NORWESCO bands are custom fabricated to support the NORWESCO tanks and are galvanized or powder coated for added corrosion protection. Whether using the tank in a stationary position or for transport, bands are necessary to ensure that the tank retains its shape and integrity.

Horizontal Leg Tank Bands

Tank Size (Gallon)	A	B	No. of Bands	Part No.
35 ∞	18½"	18½"	2 optional	60520
55 ∞	22"	22"	2 optional	61745
65 ∞	22"	22"	2 optional	61745
125 ∞	30¾"	30½"	2 optional	61744
225 ∞	36¾"	36½"	2 optional	60478
325 ∞	36¾"	36½"	2 optional	60478
525	47¾"	47½"	2 optional	60057
725	47¾"	47½"	3 required	60057
1025	47¾"	47½"	4 required	60057
1325	64"	64"	3 required	63282
5025	90"	89½"	4 required	63284

∞ Within UPS dimensional limits

Drainable Leg Tank Bands

Tank Size (Gallon)	A	B	No. of Bands	Part No.
710	46¼"	45"	3 required	60584 short
1010 *	46¼"	45"	2 required	60584 short
1010 *	48"	45"	2 required	60585 long
1310	64"	64"	3 required	63282
1610	49"	66"	4 required	62434
2610 *	58"	87½"	2 required	63044 short
2610 *	62"	87½"	2 required	63045 long
3210 *	56"	89½"	2 required	62347 short
3210 *	60"	89½"	2 required	62348 long

* 2 short and 2 long bands are required for 1 tank

Elliptical Leg Tank Bands

Tank Size (Gallon)	A	B	No. of Bands	Part No.
1035	47¼"	77"	3 required	60325
1235	47¾"	64¾"	4 required	60477
1635	51"	68"	4 required	60586
2035	51¼"	81½"	4 required	62079
2635	65¼"	87½"	4 required	60353
3135	75¼"	85½"	4 required	62097
4035	70¼"	89½"	4 required	62832

Skid

Description	Part No.
Skid for 2610	63217
Skid for 3210 drainable leg tank	62906
Bolt Kit for 3210 (optional)	63024

Ladders

Description	Tank Size (Gallon)	Part No.
Ladder (optional)	2635 & 3135	60354
Ladder (optional)	2610 & 3210	63047
Ladder (optional)	4035	63033
Adaptor kit for ladder Δ	3135	62301

Δ This kit is required when using the ladder on the 3135 gallon tank



Mini Bulk Tanks

NORWESCO mini bulk tanks are available in two sizes and are most frequently used for chemical dispensing. The tanks can be mounted on forklift accessible pads for ease of movement. A 2" polypropylene fitting is installed directly across from the manway.

Gallon Capacity	Diameter	Height	Fill Opening	Fitting	Premium Weight Part No. White
120	38"	29"	5"	2"	40318
220	42"	42"	5"	2"	40320

Pickup Truck Tanks

Designed to fit full-size, American-made pickups, the 325 and 425 sizes have low profiles for better rear vision. They feature fill openings offset to the side of the tank for safety and easy access. A tough circular design adds strength. The 210 gallon tank fits both "mini" pickups and full-size models.

Gallon Capacity	Top Width or Diameter	Bottom Width or Diameter	Overall Height	Fill Opening	Outlet/Drain Specification	Premium Weight Part No. White
210	60"/51"	48"/39"	28"	8"	2"	40300
325	62"	49"	32"	8"	2"	40160
425	65"	49"	37"	8"	2"	40102



PCO Tanks

A multi-purpose tank, the PCO is well suited for nursery, agricultural and lawn care applications. These tanks feature self-supporting legs and do not require any saddles or steel supports. Flat spots are molded into both ends to provide mounting areas for agitation equipment.



Gallon Capacity	Width	Height	Length	Fill Opening	Premium Weight Part No. White
30 ∞	19"	22"	25"	5"	41254
50 ∞	19"	20"	38"	8"	40664
100	30"	26"	38"	8"	40668
150	36"	26"	48"	8"	40669
200	36"	35"	48"	8"	41413
300	36"	37"	69"	16"	41381

∞ Within UPS dimensional limits

Elliptical Tanks

Designed for larger volume applicator needs, the NORWESCO elliptical tanks feature a low profile design and a low center of gravity for excellent visibility in the field and increased stability when towed. A deep sump permits complete drainage and the tanks feature an 8" or 16" fill-well. Please refer to information below for steel supports.



750 Gallon Elliptical

Gallon Capacity	Width	Height	Length	Fill Opening	Outlet/Drain Specification	Premium Weight Part No. White
200	40"	28"	66"	8"	1¼" & 1¼"	41252
300	48"	32"	70"	16"	1¼" & 1¼"	40327
500	57"	38"	82"	16"	1¼" & 1¼"	40328
750	69"	44"	88"	16"	2"	40329
1000	78"	51"	90"	16"	2"	40330
1600 *	78"	49"	138"	16"	2"	47111
2550 **	88"	69"	142"	16"	3"	47677

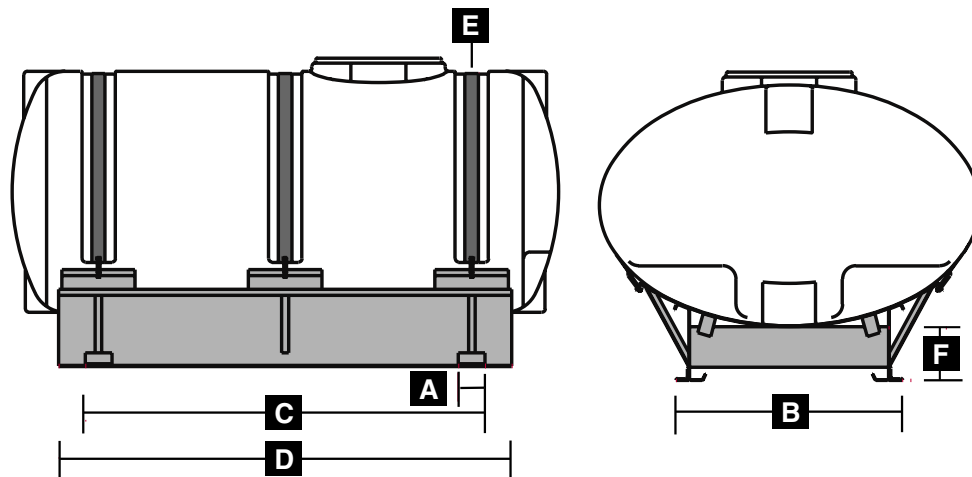
* Includes 1 stainless steel baffle ** The 2550 requires support bands

Elliptical Tank Skids (See dimensional drawings below.)

Tank Size (Gallon)	Tank Part No.	A	B	C	D	E	F	Part No.
200	41252	4"	24"	52"	57"	2" x 68"	8"	63015
300	40327	4"	34"	46¼"	54¼"	2" x 76"	8"	63016
500	40328	4"	34"	60"	68"	2" x 94"	8"	63018
750	40329	4"	38"	69½"	78"	2" x 112"	8"	60371
1000	40330	4"	46"	60"	72"	2" x 130"	8"	60372
1600	47111	10½"	40"	114½"	118¼"	3½" x 126"	6½"	67428
2550 *	47677	—	—	—	—	—	—	67456

* Band only, no skid. The 2550 requires 4 support bands, part #67456.

Replacement bands and hardware are available. Please contact NORWESCO Customer Service for details.



Applicator Tanks, Inductor Tanks and Spot Sprayers

Whether you're looking for a new or replacement tank, you'll find it in the NORWESCO line. All NORWESCO applicator tanks feature a lid which threads directly into the fill-well of the tank to prevent the sloshing or leaking of tank contents during transport or application. The inductor tanks are suitable for mixing chemicals when filling a tank and are available in three sizes. The spot sprayers feature threaded inserts on the bottom of the tank for mounting purposes, on one side for wand/gun placement and on the top for a 12 volt pump. Please refer to page 8 for steel supports.



12 Gallon Applicator



150 Gallon x 32" Applicator



200 Gallon x 32" Applicator



500 Gallon Applicator

Applicator Tanks

Gallon Capacity	Diameter	Height/Length	Fill Opening	Outlet/Drain Specification	Premium Weight Part No. White
12 ∞	14" wide	12"/18"	5"	3/4"	60521
20 ∞	15"	31"	5"	3/4"	61737
30 ∞	23"	21"	5"	3/4"	41799
55 ∞	23"	34"	5"	3/4"	45193
85	23"	52"	5"	3/4"	45105
110	30"	41"	8"	1 1/4" & 1 1/4"	45053
150	30"	58"	8"	1 1/4" & 1 1/4"	40648
150	32"	46"	8"	1 1/4" & 1 1/4"	45117

Gallon Capacity	Diameter	Height/Length	Fill Opening	Outlet/Drain Specification	Premium Weight Part No. White
200	32"	62"	8"	1 1/4" & 1 1/4"	45059
200	38"	47"	8"	1 1/4" & 1 1/4"	45061
300	38"	68"	8"	1 1/4" & 1 1/4"	40135
400	42"	74"	8"	1 1/4" & 1 1/4"	40137
500	48"	75"	8"	1 1/4" & 1 1/4"	40274
150 Slim Line	28"	40"/50"	8"	1 1/4" & 1 1/4"	40777
200 Slim Line	24"	46"/61"	8"	1 1/4" & 1 1/4"	41305
200 Slim Line	31"	44"/48"	8"	1 1/4" & 1 1/4"	40780

∞ Within UPS dimensional limits

Inductor Tanks

Gallon Capacity	Diameter	Height/Length	Fill Opening	Outlet/Drain Specification	Premium Weight Part No. White
15 ∞	19"	23"	8"	2"	60214
35 ∞	23"	27"	8"	2"	45098
60	31"	31"	16"	2"	62205

∞ Within UPS dimensional limits



35 Gallon Inductor

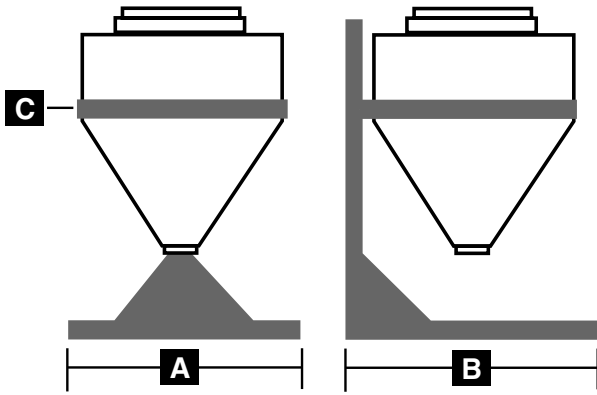
Spot Sprayers

Gallon Capacity	Width	Height/Length	Fill Opening	Outlet/Drain Specification	Premium Weight Part No. White
14 ∞	14"	11"/31"	5"	—	45115
25 ∞	18"	16"/36"	5"	—	62080

∞ Within UPS dimensional limits



14 and 25 Gallon Spot Sprayer



Applicator Saddle Assemblies and Inductor Stands

Designed to provide necessary support for the applicator/inductor tank during use. NORWESCO saddles include polyester straps, buckles and bolts to secure tanks, and inductor stands are supplied with all necessary hardware.

Inductor Tank Stands (See dimensional drawings above.)

Tank Size (Gallon)	Tank Part No.	A	B	C	Part No.
15 ∞	60214	26"	15"	2" x 56"	60313
35 ∞	45098	25"	18"	1½" x 35" (2)	65517
60 ∞	62205	33"	24"	1½" x 46" (2)	62204

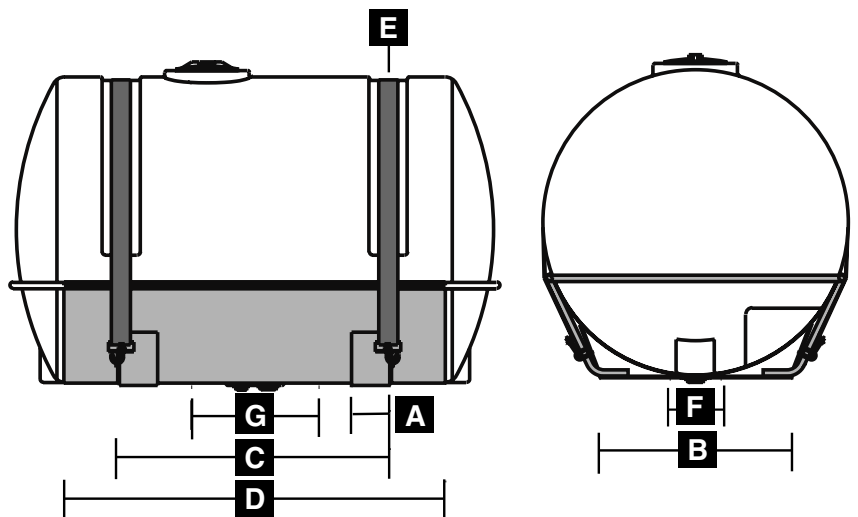
∞ Within UPS dimensional limits

Applicator Tank Saddle Assemblies (See dimensional drawings below.)

Tank Size (Gallon)	Tank Part No.	A	B	C	D	E	F	G	Part No.
30 ∞	41799	3"	19"	13½"	13½"	2" x 54"	8"	7¾"	60321
55 ∞	45193	6"	18½"	24"	24"	2" x 48"	—	12"	60303
110 ∞	45053	6"	23¾"	28¾"	34¾"	2" x 72"	—	10¾"	60315
150 - 32" ∞	45117	6"	23¾"	28¾"	34¾"	2" x 72"	—	10¾"	60315
200 - 32"	45059	6"	24⅞"	36"	60"	2" x 96"	8"	13¼"	63019
200 - 38"	45061	6"	24¾"	34"	42"	2" x 96"	—	13¼"	63020
300 - 38"	40135	6"	24¾"	34"	60"	3" x 96"	8"	12"	63021
400 - 42"	40137	6"	30⅞"	42½"	60"	3" x 96"	8"	12"	63022
500 - 48"	40274	6"	30⅞"	42½"	60"	3" x 132"	8"	12"	63023

∞ Within UPS dimensional limits

Replacement bands and hardware are available. Please contact NORWESCO Customer Service for details.



Cone Bottom Tanks

NORWESCO offers a full range of cone bottom tanks designed for a variety of applications. The conical bottoms enable quick and complete drainage. As with all NORWESCO tanks, the cone bottom tanks are molded of rugged, high density polyethylene and are both impact and chemical resistant. Please refer to page 10 for polyethylene or steel stands.

Gallon Capacity	Diameter	Height	Slope	Fill Opening	Outlet/Drain Specification	Premium Weight Part No. White	Heavy Weight Part No. Blue
175 w/stand*	42"	49"/10"†	30°	16"	2"	60113	—
300 w/stand*	48"	60"/9"†	30°	16"	2"	62343	—
310 w/stand*	42"	71"/10"†	30°	8"	2"	62441	—
500 w/stand*	48"	85"/9"†	30°	16"	2"	40289	—
750	72"	55"	20°	16"	2"	40811	—
750 w/stand*	72"	65"/10"†	20°	16"	2"	40809	—
1050	72"	74"	20°	16"	2"	40356	—
1050 w/stand*	72"	85"/11"†	20°	16"	2"	40359	—
1600	88"	83"	30°	16"	2"	40817	40819
1600 w/stand*	88"	94"/11"†	30°	16"	2"	40813	40815
2500	95"	104"	30°	16"	2"	40066	40129
2500 w/stand*	95"	114"/10"†	30°	16"	2"	40672	40674
3000	95"	121"	30°	16"	2"	40170	40172
3000 w/stand*	95"	131"/10"†	30°	16"	2"	40797	40799
3000 15° slope**	91"	119"	15°	16"	3"/2"	45141	—
5500	118"	146"	30°	16"	3"/2"	40549	40316
6000	102"	195"	15°	16"	3"/2"	40931	40933
7500	141"	149"	30°	16"	3"/2"	40551	40409

*Polyethylene stand **Stand not available for this tank †Distance from bottom of cone to ground



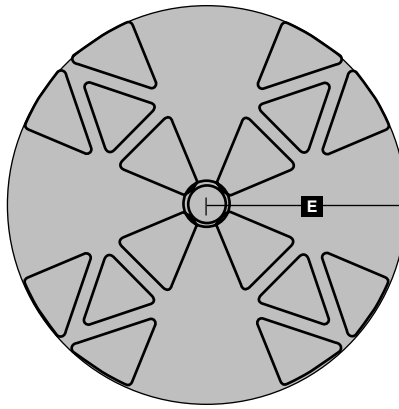
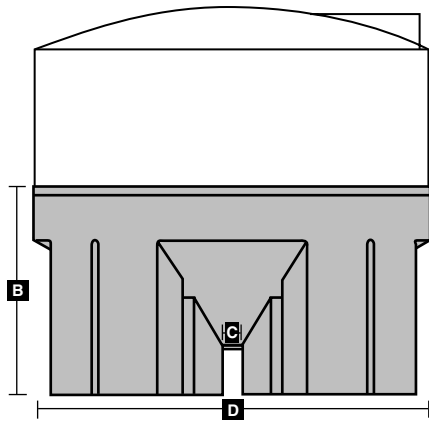
**500 Gallon
Cone Bottom
with Polyethylene
Stand**



**1600 Gallon Cone Bottom
with Polyethylene Stand**



**3000 Gallon Cone Bottom
with Heavy Duty Stand**



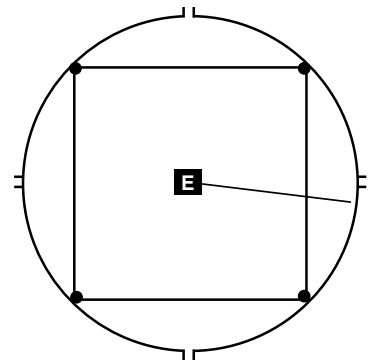
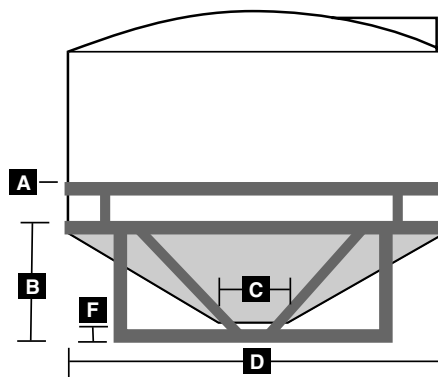
Polyethylene Cone Bottom Stands

Maintenance free, lightweight NORWESCO polyethylene stands offer unequalled corrosion resistance.

Tank Size (Gallon)	A	B	C	D	E
175	—	31½"	8"	42"	21"
300	—	32"	8"	48"	24 ⁵ / ₁₆ "
310	—	31½"	8"	42"	21"
500	—	32"	8"	48 ⁵ / ₈ "	24 ⁵ / ₁₆ "
750	—	34"	10"	72 ⁵ / ₈ "	36 ⁵ / ₁₆ "
1050	—	34"	10"	72 ⁵ / ₈ "	36 ⁵ / ₁₆ "
1600	—	46"	10"	88"	44"
2500/3000 (30°)	—	47"	10"	96 ¹ / ₈ "	48 ¹ / ₁₆ "

Heavy Duty Cone Bottom Stands

NORWESCO heavy duty cone bottom stands are manufactured from structural steel and offer a full dish for uniform support. An optional top band is available for the 2500/3000 steel stand when additional support is needed.



Tank Size (Gallon)	A	B	C	D	E	F	Part No.
2500/3000 (30°)	—	36"	11"	96"	48"	11"	60059
5500	—	45"	11"	119"	59½"	12½"	60358
6000	—	25"	13"	102"	51"	12 ¹ / ₈ "	62473
7500	—	49"	11"	140"	70"	10 ³ / ₄ "	61860
2500/3000 (30°)	Optional Top Band Assembly	—	—	—	—	—	60359

Specialty Tanks

Horizontal Box Tanks

The low profile design of this tank makes it ideal for use on trailers or in the back of a truck. The slosh reduction ribs provide excellent structural support. It can also be used as a stationary water storage tank.

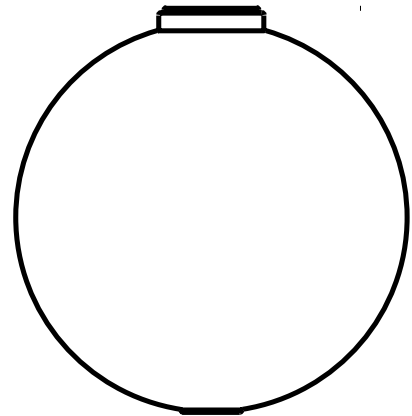


Gallon Capacity	Width	Height	Length	Fill Opening	Outlet/Drain Specification	Premium Weight Part No. White
2400	90"	50"	150"	16"	2"	40912

Sphere

The 1000 gallon sphere is one of our more specialized tanks that is used on trailers/nurse trailers. The advantage of using this type of tank and trailer combination is that it has a shorter wheel-base which means less sloshing and the design of the tank allows for easy mixing of product.

Gallon Capacity	Diameter	Height	Fill Opening	Outlet/Drain Specification	Premium Weight Part No.
1000	78"	82"	16"	—	41277



Specialty Water Tanks

These tanks have been specifically designed with residential and commercial applications in mind. The dimensions of the 375 or 400 gallon allow it to fit through a conventional doorway. The design of the 400 gallon tank allows it to be freestanding/self-supporting and eliminates the need for a steel support frame. The 375 comes standard with a steel support frame. The 1250 and 1500 gallon low profile tanks may be used for storage or transport. They are an excellent choice when height limitations are a factor and are the perfect height for putting under your cottage or cabin.

Gallon Capacity	Width	Height	Length	Fill Opening	Outlet/Drain Specification	Premium Weight Part No. White
-----------------	-------	--------	--------	--------------	----------------------------	-------------------------------

Free Standing Water Tank

300	29"	49"	62"	16"	1¼"	41869
400	29"	65"	62"	16"	1¼"	41247

Water Tank With Frame

375	30"	60"	62"	16"	1¼"	40480
-----	-----	-----	-----	-----	-----	-------

Low Profile Water Tank

1250	80"	35"	132"	16"	2"	40756
1500	81"	41"	130"	16"	2"	41392



375 Gallon Tank with Frame

300 and 400 Gallon Freestanding Tank



1250 and 1500 Gallon Low Profile Tank



A



B



C



D



E

High Density Polyethylene Lids

Description	Item Code	Part No.
16" Lid and ring with 4" center lid/air vent		60038
16" Lid with 4" center lid/air vent	A	60011
16" Ring only		60012
16" Lid, ventless with ring		60367
16" Lid, ventless	B	60365
Gasket for 16" non-hinged lid		62941
4" Lid (air vent assembly for 16" lid)		60019
8" Lid, ring and air vent		60032
8" Lid with air vent	C	60002
8" Ring only		60003
Air vent for 8" lid only (snap on)		61727
5" Lid with ball check air vent (for tanks manufactured after 2/1/00)	D	62801
5" Lid with ball check air vent (for tanks manufactured prior to 2/1/00)	D	60322
5" Lid (for tanks manufactured after 2/1/00)	E	62476
5" Lid with 2" FPT		63264
Gasket for 5" lid, 60322, 62801 and 63264		60366
2" MPT vent cap with poly screen		63266
18" lanyard for 8" lid and 16" non-hinged lid (tethers lid to tank)		62531
Stainless steel screws for 8" and 16" rings		60081

Hinged Lid

This lid is manufactured from a co-polymer material for strength, durability and excellent chemical resistance. Our unique locking tab allows you to easily slip a padlock through it and secure your lid from theft or spills. The lid is interchangeable with a standard 16" lid and ring assembly if you choose to replace your existing lid.

- Easy open/close – opens a full 180 degrees
- Comes complete with a baffle vent assembly, allowing for adequate venting when bottom filling your tank.
- Unique locking tab
- All parts of lid may be ordered as repair parts

Description	Part No.
Complete lid assembly	62532

Hinged Lid Repair Parts

16" hinged lid with vent assembly, without ring	62826
Vent assembly	62827
Ring assembly	62828
Hinge assembly	62829
EPDM O-ring for lid	62830
Neoprene O-ring for ring	62831



Polyethylene Tank Repair Kits

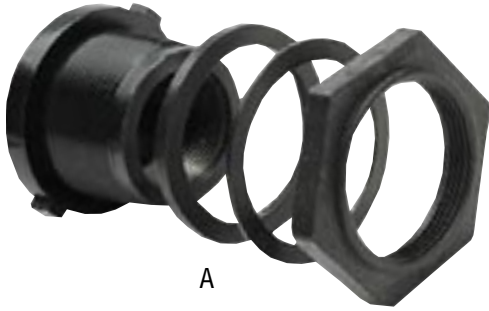
The tank repair kit (welding gun and rod) includes a specially formulated welding wire containing copolymers and adhesives. Wire may be used to effectively repair linear polyethylene. Easy to use and requires only 110 volt power. The poly patch kit is ideal for repairing pinholes, hairline cracks and holes up to 1/2" in diameter. For best results, surface to be repaired should be above 32° F. The kit consists of epoxy, a small brush to apply the epoxy, a small piece of sandpaper to "roughen" the area to be patched, a piece of mastic to temporarily fill the hole/crack and a piece of fiberglass.

	Part No.
Poly welding gun & rod	60221
Poly welding rod 30'	61879
Poly patch kit	67412

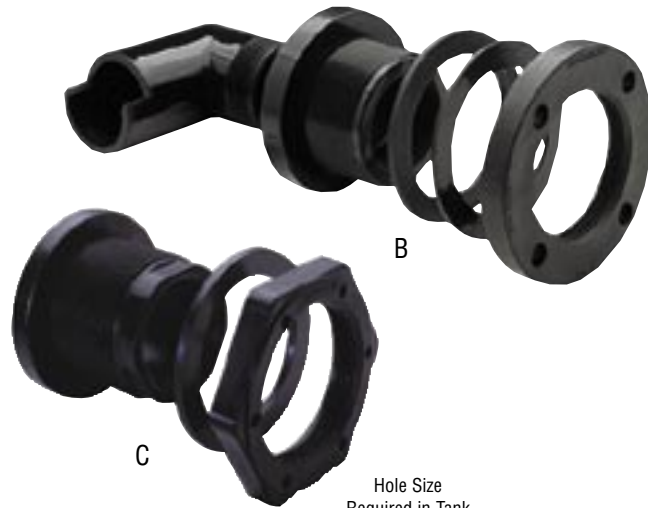
Polypropylene Bulkhead Fittings / EPDM Or Viton Gaskets

NORWESCO'S polypropylene fittings come standard with an EPDM gasket.

Viton gaskets are available as an option when EPDM may not be suitable for your application.



A



B

C

Description	Hole Size Required in Tank for Installation	Part No.	Item Code
1/2" Heavy duty double threaded polypropylene fitting	1 3/8"	62834	A
3/4" Double threaded polypropylene fitting	1 3/8"	60401	A
EPDM gasket for 1/2" and 3/4" (60401)		60402	
Viton gasket for 1/2" and 3/4" (60401)		60360	
3/4" Heavy duty double threaded polypropylene fitting	1 3/8"	62798	A
EPDM gasket 3/4" (62798)		62799	
Viton gasket for 3/4" (62798)		62800	
1" Double threaded polypropylene fitting	2 1/4"	60427	A
1 1/4" Double threaded polypropylene fitting	2 1/4"	60403	A
1 1/4" Anti-vortex polypropylene fitting		63065	
EPDM gasket for 1" and 1 1/4"		60404	
Viton gasket for 1" and 1 1/4"		60361	
Anti-vortex adapter for 1 1/4"		62398	
1 1/2" Double threaded polypropylene fitting	3"	60124	A
Siphon tube, 1 1/2" x 12" long		63279	
2" Double threaded polypropylene fitting	3"	60405	A
2" Double threaded 316 stainless steel fitting, less gasket	3"	61767	
EPDM gasket for 1 1/2" and 2" (60405 and 61767)		60406	
Type B Viton gasket for 1 1/2" and 2" (60405 and 61767)		60523	
2" Heavy duty double threaded polypropylene fitting with siphon tube	3 3/4"	60337	B
EPDM gasket for 2" (60337)		60336	
Type B Viton gasket for 2" (60337)		60008	
Siphon tube, 2" short		60335	
Siphon tube, 2" x 12" long		63262	
2" MPT vent cap, anti-vortex, with poly screen		63266	
2" MPT vent cap, anti-vortex, without screen		63316	
Anti-vortex adapter for 2" Bulkhead fitting		62399	
2" Polypropylene dust plug		60021	
3" Double threaded polypropylene fitting (hex nut as shown in photo C)	4 5/8" *	62299	
3" Double threaded polypropylene fitting with 2" reducer and siphon tube	4 5/8" *	60339	C
EPDM gasket for 3"		60331	
Type B Viton gasket for 3"		60351	
2" Polypropylene reducer for 3"		60330	
Siphon tube, 3" short		60327	
Siphon tube, 3" x 12" long		63263	
4" Double threaded polypropylene fitting (hex nut as shown in photo C)	5 3/4"	62171	
EPDM gasket for 4"		62785	
Viton gasket for 4"		62786	
Siphon tube for 4"		62714	

*When installing fitting, use 4 1/2" hole saw if tank is cold.

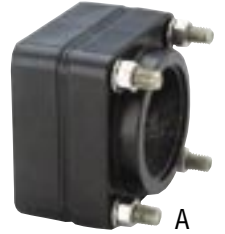
Bolted Fittings

Polypropylene Bolted Fittings / EPDM or Viton Gaskets (Require two gaskets.)

Bolted polypropylene fittings are equipped with 316 stainless steel bolts and come standard with EPDM gaskets.

Viton gaskets are available as an option for the fittings.

Description	Part No.	Item Code
¾" Polypropylene bolted fitting with ss bolts and EPDM gaskets	60502	A
1" Polypropylene bolted fitting with ss bolts and EPDM gaskets	60505	A
EPDM gasket for ¾" and 1"	60498	
Type B Viton gasket for ¾" and 1"	60355	
1½" Polypropylene bolted fitting with ss bolts and EPDM gaskets	60513	A
2" Polypropylene bolted fitting with ss bolts and EPDM gaskets	60516	A
EPDM gasket for 1½" and 2"	60497	
Type B Viton gasket for 1½" and 2"	60356	
3" Polypropylene bolted fitting with ss bolts and EPDM gaskets	62471	
EPDM gasket for 3"	62048	
Type B Viton gasket for 3"	60602	



Stainless Steel Double Threaded Bolted Fittings

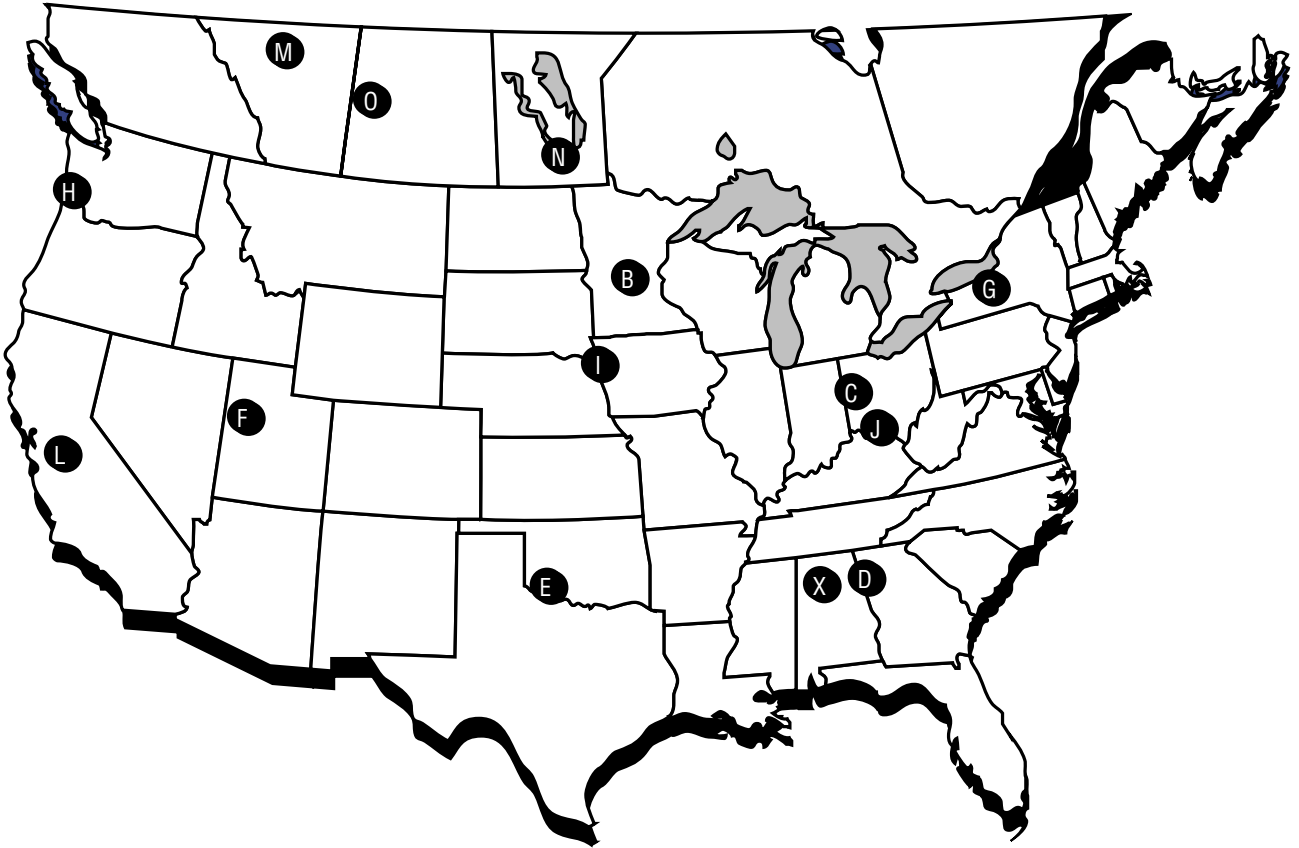
Bolts are threaded into the back plate of the fitting so there are no welds or bolt holes that can be potential points of leakage. These fittings come standard without a gasket (with the exception of the 4") and require a single gasket that is installed on the inside of the tank. Available gaskets are cross-linked polyethylene, EPDM or Viton (4" fitting comes standard with a cross-linked polyethylene gasket).

Description	Part No.	Item Code
½" 316 Stainless steel double threaded bolted fitting less gasket	63216	B
¾" 316 Stainless steel double threaded bolted fitting less gasket	63035	B
1" 316 Stainless steel double threaded bolted fitting less gasket	62948	B
EPDM gasket for ½", ¾" & 1" (1 required)	63205	
Type B Viton gasket for ½", ¾" & 1" (1 required)	63224	
Cross-linked polyethylene gasket for ½", ¾" & 1" (1 required)	62950	
1¼" 316 Stainless steel double threaded bolted fitting less gasket	63036	B
Cross-linked polyethylene gasket for 1¼" (1 required)	63041	
1½" 316 Stainless steel double threaded bolted fitting less gasket	63037	B
Cross-linked polyethylene gasket for 1½" (1 required)	63042	
2" 316 Stainless steel double threaded bolted fitting less gasket	63038	B
EPDM gasket for 1¼", 1½" and 2" (1 required)	63206	
Type B Viton gasket for 1¼", 1½" and 2" (1 required)	63225	
Cross-linked polyethylene gasket for 2" (1 required)	62848	
3" 316 Stainless steel double threaded bolted fitting less gasket	63039	C
EPDM gasket for 3" (1 required)	63223	
Type B Viton gasket for 3" (1 required)	63226	
Cross-linked polyethylene gasket for 3" (1 required)	63043	
4" 316 Stainless steel 8-bolt double threaded bolted fitting with gasket	63069	
Cross-linked polyethylene gasket for 4" (1 required)	63070	



Stainless Steel Single Threaded Bolted Fittings

Description	Part No.
2" 316 Stainless steel single threaded bolted fitting less gasket	62847
EPDM gasket for 1¼", 1½" and 2" (1 required)	63206
Type B Viton gasket for 1¼", 1½" and 2" (1 required)	63225
Cross-linked polyethylene gasket for 2" (1 required)	62848
3" 316 Stainless steel single threaded bolted fitting less gasket	63233
EPDM gasket for 3" (1 required)	63223
Type B Viton gasket for 3" (1 required)	63226
Cross-linked polyethylene gasket for 3" (1 required)	63043



Manufacturing and Distribution

- | | | |
|------------------------------|--------------------------|-----------------------------------|
| B. St. Bonifacius, Minnesota | G. Owego, New York | M. Edmonton, Alberta-Canada |
| C. Lancaster, Ohio | H. Washougal, Washington | N. Winnipeg, Manitoba-Canada |
| D. Griffin, Georgia | I. Sheldon, Iowa | X. Albertville, Alabama |
| E. Shawnee, Oklahoma | L. Hanford, California | O. Saskatoon, Saskatchewan-Canada |
| F. Tooele, Utah | | |

Tank dimensions and capacities may vary slightly and are subject to change without notice.

Warranty

NORWESCO offers a three year warranty from date of manufacture on all premium weight tanks and a five year warranty on all heavy weight tanks. Should a defect appear within the warranty period NORWESCO will supply a new, equivalent tank in replacement thereof. NORWESCO'S liability is limited to the value of the tank itself and specifically excludes the cost of installation and/or removal or consequential damages. Please contact your chemical supplier or NORWESCO Customer Service for chemical resistance information.



Norwesco, INC.

4365 Steiner Street
P.O. Box 439
St. Bonifacius, MN 55375-0439
Tel (952) 446-1945
Fax (800) 874-2371

www.norwesco.com