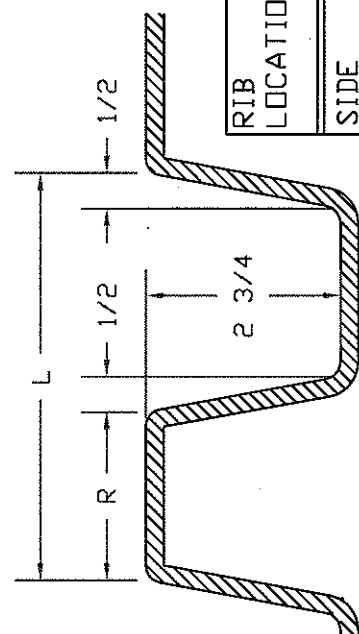
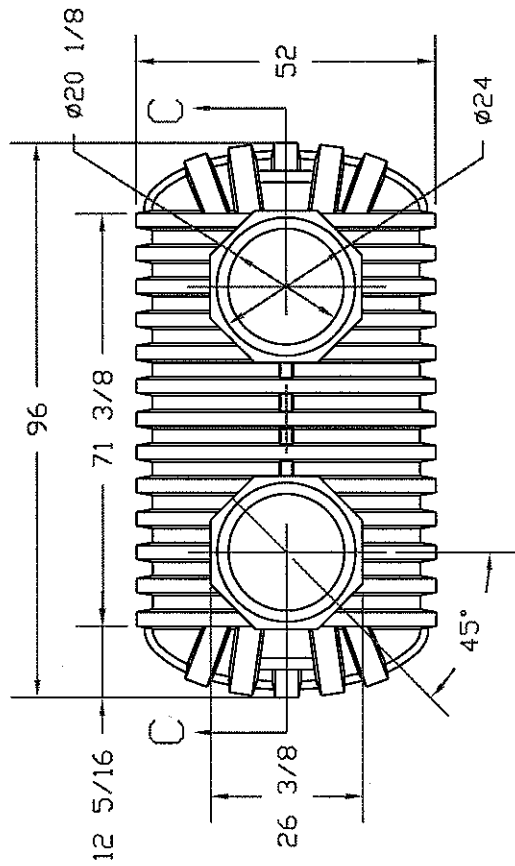


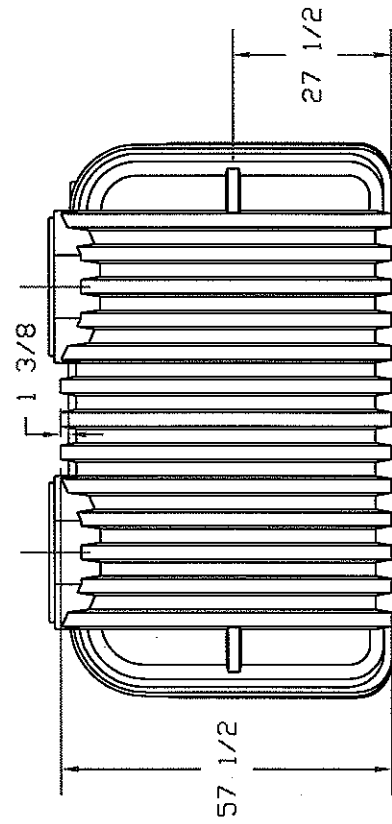
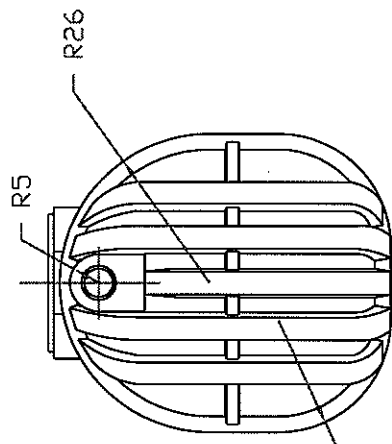
REVISIONS

ZONE	REV	DESCRIPTION	DATE	APPROVED



RIB LOCATION	DIMENSION
	R
	L
SIDE	2-3/8" 5-3/4"
END	4" 8"

RIB DETAIL
1/2 SCALE



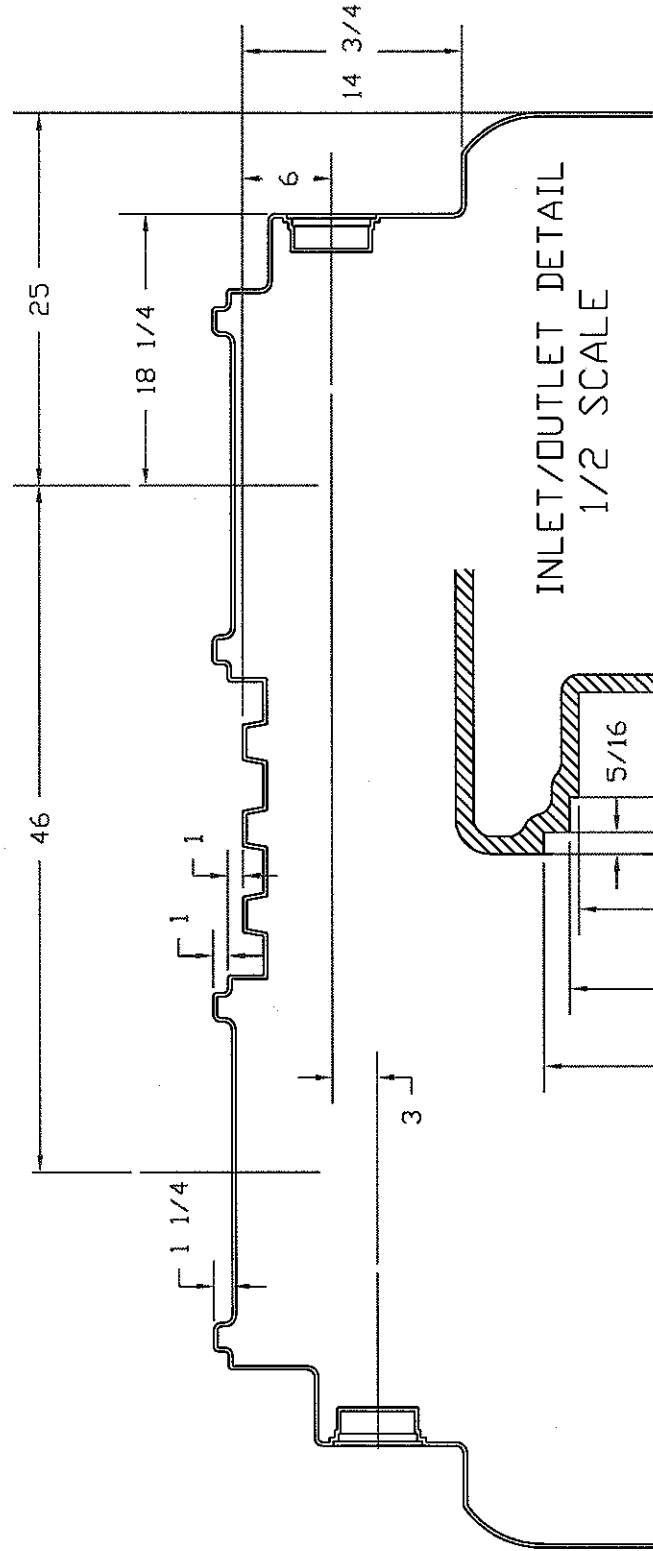
NORWESCO
ST. BONIFACIUS, MN
SEPTIC TANK, 750
GALLON, 2-MANHOLE

JTP	10MAY95	SIZE	FSCM NO.	DWG NO.	REV
		B	41815	41713/41715	
SCALE 1/24					PAGE 1 OF 2 SHEET

AVAILABLE FROM OK ONLY

REVISIONS			
ZONE	REV	DESCRIPTION	DATE

SECTION C-C



NORWESCO
 ST. BONIFACIUS, MN
 SEPTIC TANK, 750
 GALLON, 2-MANHOLE

JTP	10MAY95	SIZE	FSCM NO.	DWG NO.	REV
		B		41815/41713/41715	
SCALE 1/24					PAGE 2 OF 2
SHEET					2

AVAILABLE FROM OK ONLY