



Water is Our Business®

293 Wright Street, Delavan, WI 53115

Phone: 800-365-6832

Fax: 800-526-3757

www.flotecwater.com

OWNER'S MANUAL

INTELLIPUMP™ Submersible Utility Pump

NOTICE D'UTILISATION

INTELLIPUMP™^{MD} Pompe utilité submersibles

MANUAL DEL USUARIO

INTELLIPUMP™^{MR} Bomba submergibles de uso general



Installation/Operation/Parts

For further operating, installation, or maintenance assistance:

Call 800-365-6832

English Pages 2-5

Installation/Fonctionnement/Pièces

Pour plus de renseignements concernant l'utilisation, l'installation ou l'entretien,

Composer le (800) 365-6832

Français Pages 6-9

Instalación/Operación/Piezas

Para mayor información sobre el funcionamiento, instalación o mantenimiento de la bomba:

Llame al 800-365-6832

Español..... Páginas 10-13

Important Safety Instructions

SAVE THESE INSTRUCTIONS - This manual contains important instructions that should be followed during installation, operation, and maintenance of the product.

▲ This is the safety alert symbol. When you see this symbol on your pump or in this manual, look for one of the following signal words and be alert to the potential for personal injury!

▲ DANGER indicates a hazard which, if not avoided, *will* result in death or serious injury.

▲ WARNING indicates a hazard which, if not avoided, *could* result in death or serious injury.

▲ CAUTION indicates a hazard which, if not avoided, *could* result in minor or moderate injury.

NOTICE addresses practices not related to personal injury.

Carefully read and follow all safety instructions in this manual and on pump.

Keep safety labels in good condition. Replace missing or damaged safety labels.

California Proposition 65 Warning

▲ WARNING This product and related accessories contain chemicals known to the State of California to cause cancer, birth defects or other reproductive harm.

1. Know the pump application, limitations, and potential hazards.

▲ WARNING Risk of explosion. Do not ground to a gas supply line. Do not use in explosive atmospheres. Pump water only with this pump. Failure to follow this warning can result in personal injury and/or property damage.

2. Make certain power source conforms to requirements of your equipment.
3. Disconnect power before servicing.
4. Release all pressure within system before servicing any component.
5. Drain all water from system before servicing.
6. Secure discharge line before starting pump. An unsecured discharge line will whip, possibly causing personal injury and/or property damage.
7. Check hoses for weak or worn condition before each use, making certain all connections are secure.
8. Periodically inspect pump and system components. Keep pump and system free of debris and foreign objects. Perform routine maintenance as required.
9. Provide means of pressure relief on pumps whose discharge line can be shut-off or obstructed.
10. Personal Safety:
 - a. Wear safety glasses at all times when working with pumps.
 - b. Keep work area clean, uncluttered and properly lighted – replace all unused tools and equipment.
 - c. Keep visitors at a safe distance from the work area.
 - d. Make workshop child-proof – with padlocks,

master switches, and by removing starter keys.

11. When wiring an electrically driven pump, follow all electrical and safety codes, as well as most recent National Electrical Code (NEC) and Occupational Safety and Health Act (OSHA).

▲ WARNING Risk of sudden starts. Can cause electrical shock and personal injury.

12. **▲ WARNING Risk of electric shock.** Can shock, burn or kill. This equipment is only for use on 115 volt (single phase) and is equipped with an approved 3-conductor cord and 3-prong, grounding-type plug.

To reduce risk of electric shock, be certain that it is connected to properly grounded, grounding-type receptacle.

Where a 2-prong wall receptacle is encountered, it must be replaced with properly grounded 3-prong receptacle installed in accordance with the National Electrical Code and local codes and ordinances.

13. All wiring should be performed by a qualified electrician.
14. Protect electrical cord from sharp objects, hot surfaces, oil, and chemicals. Avoid kinking cord. Replace or repair damaged or worn cords immediately.
15. Use wire of adequate size to minimize voltage drop at motor. Refer to most recent National Electrical Code.
16. Do not touch an operating motor. Modern motors can operate at high temperatures.
17. **The oil-filled motor was not designed for use in water containing fish. Do not use this pump in water with fish present.**

Specifications

Power supply required 115V, 60 HZ.
 Liquid Temp. Range Max. 77°F (25°C)
 Operation Position Vertical
 Individual Branch Circuit Required 15 Amp
 Operating Depth Beginning min 3/4"
 (water level) Ending max..... 1/4"
 Discharge 1" NPT (25 mm)
 Pump water only with this pump.

NOTICE This unit is not designed as a waterfall or fountain pump, or for applications involving salt water or brine! Use with waterfalls, fountains, salt water or brine will void warranty. Do not use where water recirculates. Not designed for use as a swimming pool drainer.

NOTICE This unit is not designed for applications involving salt water or brine! Use with salt water or brine will void warranty.

PERFORMANCE

GPH (LPH) At Total Feet (M)						
3' (0.91)	5' (1.52)	10' (3.05)	15' (4.57)	18' (5.49)	20' (6.09)	22' (6.70)
1600 gal(6058 L)	1524 gal(5769 L)	1260 gal(4770 L)	924 gal(3498 L)	648 gal(2453 L)	372 gal(1408 L)	0 gal(0 L)

Installation

⚠️ WARNING Risk of electric shock. Can shock, burn or kill. Do not use power cord to lift motor. Always use handle.

1. Pump should be located and should rest on level solid foundation. Do not suspend pump by means of discharge pipe or power cord. Keep pump inlet screen clear.
2. Thread outlet pipe into pump body carefully to avoid stripping or crossing threads.
 - a. To install with garden hose, install adapter provided with pump.
NOTICE To keep friction as low as possible, hose must be 5/8" or larger. Keep hose as short as possible.
 - b. To install with rigid pipe, use plastic pipe. Wrap thread with PTFE pipe thread sealant tape
. Screw pipe into pump hand tight +1 - 1-1/2 turns.
3. If, in your application, backflow is a problem when the pump stops, prevent it by installing a 1" NPT check valve in the pump discharge.
4. Power Supply: Pump is designed for 115V., 60 HZ. operation and requires an individual branch circuit of 15 amperes or more capacity. It is supplied with a 3-wire cord set with grounding-type plug for use in a 3-wire, grounded outlet. 3 wire extension cord, of at least 14 AWG (2mm²) size is suggested, with larger sizes for runs over 25 ft (7M). For safety, pump should always be electrically grounded to a suitable electrical ground such as a grounded water pipe or a properly grounded metallic raceway, or ground wire system. Do not cut off the round grounding prong.

⚠️ WARNING Risk of sudden starts. Can cause electrical shock and personal injury. The pump motor is equipped with automatic resetting thermal protector and may restart unexpectedly. Protector tripping is indication of motor overloading as a result of operating pump at high pressure, excessively high or low voltage, inadequate wiring, incorrect motor connections, or a defective motor or pump.

Operation

⚠️ WARNING Risk of electric shock. Can shock, burn or kill. Do not handle pump or pump motor with wet hands or when standing on wet or damp surface, or in water. Disconnect power from pump before handling, servicing, or attempting to repair pump.

The INTELLIPUMP™ is fully automatic in operation. The "smart" controller starts the pump every 2-1/2 minutes and causes it to run for 5 seconds. If it senses that there is no water to the pump, it stops. If it senses water, it continues to run until the water is pumped down to 1/4" deep, and then it stops. It then goes into a 7-minute quick-detection cycle, starting 4 times the first minute, twice the second minute, and once a minute for the next 5 minutes. If by the last check it has not detected water, it resumes its cycle (running 5 seconds every 2-1/2 minutes) until it senses water again.

NOTICE When you plug the pump into the wall outlet, it will start and run for 5 seconds. It will then cycle as described above.

If the unit is put in the water and started, interrupting the water flow into the pump during the 5-second water-sensing run will cause it to wait 2-1/2 minutes before restarting.

1. The motor is equipped with an automatically resetting thermal overload protector. If the motor gets too hot, the overload protector will stop the motor before it is damaged. When the motor has cooled sufficiently, the overload protector will reset itself and the motor will restart.

NOTICE If the overload protector stops the pump repeatedly, disconnect the power from the pump and check it to find the problem. Low voltage, long extension cords, clogged impeller, too much back pressure in the discharge hose (as when pumping through 50' (15 M) of coiled hose), or extended running of pump with no load, can all cause overheating.

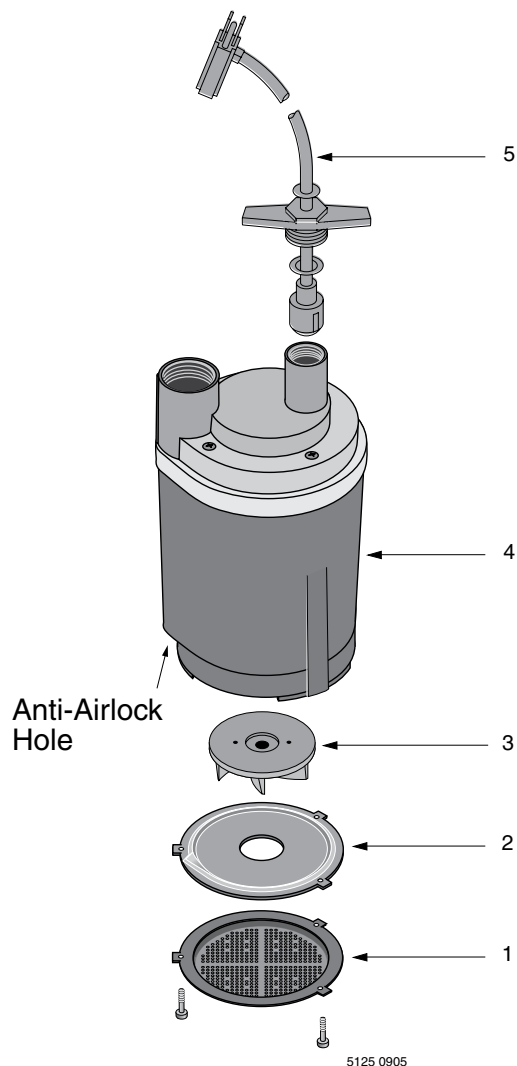
2. The water being pumped cools the motor, allowing the pump to run continuously at any depth of water above 1/4". However, if the motor overload stops the pump, allow it to cool for one hour before restarting. Motor will not restart before the overload has cooled.

Airlocks

When a pump airlocks, it runs but does not move any water. An airlock will cause the pump to overheat and fail. This pump has an anti-airlock hole in the bottom of the pump body. If you suspect an airlock, unplug the pump, clean out the anti-airlock hole with a paper clip or piece of wire, and restart the pump.

NOTICE If the outlet of the discharge hose/pipe is submerged you must have a 1/8" hole in the discharge hose/pipe to prevent airlock. This hole must be open to air.

NOTICE If you move the pump or the pump airlocks, be sure to drain the hose before trying to restart the pump.

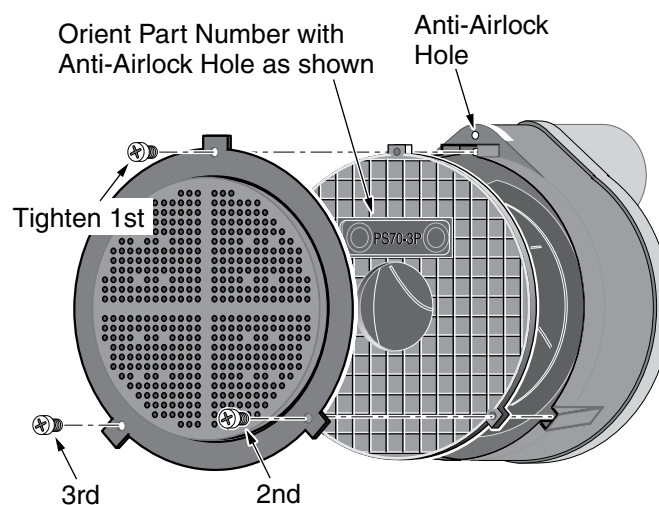


REPAIR PARTS

Ref	Descriptopn	Qty.	Part No
1	Screen	1	PS8-6P
2	Shield	1	PS70-3P
3	Impeller	1	PS5-25P
4	Motor	1	**
5	Power Cord	1	PS117-51-TSU
•	Garden Hose Adapter	1	FT0013-43

NOTICE To purchase a check valve, call Customer Service at 800-365-6832 and order part number PW73-63.

** If motor fails, replace entire pump. • Not Illustrated.



Assemble Screen and Shield as shown.

Troubleshooting

⚠ WARNING Risk of electric shock and sudden start. Can shock, burn or kill and can cause electrical shock and personal injury. Disconnect electrical power to pump before attempting to troubleshoot or work on it.

Symptom	Possible Cause(s)	Corrective Action
Pump won't start or run from main switch on property	Blown fuse	If blown, replace with fuse of proper size.
	Low line	If voltage under recommended minimum, check size of wiring. If OK, contact power company.
	Defective motor	Replace pump.
	Impeller	Remove screen, locate source of binding.
Pump operates but delivers little or no water	Low line voltage	Use only 14 gauge or larger extension cords. Use short extension cords when necessary.
	Something caught in impeller	Clean out impeller.
	Small diameter garden hose or long discharge line	Use larger diameter garden hose or 1" flexible pipe. Eliminate any excess hose. Short hoses work best.
	Check valve installed without vent hole	Drill a 1/16" - 1/8" (1.6 - 3.2 mm) dia. hole between pump discharge & check valve.
	Air lock	Turn off pump for a few seconds, clean out anti-airlock hole and restart pump.
	Coils or bends in hose	Straighten hose.

For parts or assistance, call Flotec Customer Service at 800-365-6832

Retain Original Receipt For Warranty Eligibility

Limited Warranty

This Limited Warranty is effective June 1, 2011 and replaces all undated warranties and warranties dated before June 1, 2011. FLOTEC warrants to the original consumer purchaser (“Purchaser” or “You”) that its products are free from defects in material and workmanship for a period of twelve (12) months from the date of the original consumer purchase. If, within twelve (12) months from the original consumer purchase, any such product shall prove to be defective, it shall be repaired or replaced at FLOTEC’s option, subject to the terms and conditions set forth herein. Note that this limited warranty applies to manufacturing defects only and not to ordinary wear and tear. All mechanical devices need periodic parts and service to perform well. This limited warranty does not cover repair when normal use has exhausted the life of a part or the equipment.

The original purchase receipt and product warranty information label are required to determine warranty eligibility. Eligibility is based on purchase date of original product – not the date of replacement under warranty. The warranty is limited to repair or replacement of original purchased product only, not replacement product (i.e. one warranty replacement allowed per purchase). Purchaser pays all removal, installation, labor, shipping, and incidental charges.

For parts or troubleshooting assistance, DO NOT return product to your retail store - contact FLOTEC Customer Service at 1-800-365-6832.

Claims made under this warranty shall be made by returning the product (except sewage pumps, see below) to the retail outlet where it was purchased or to the factory immediately after the discovery of any alleged defect. FLOTEC will subsequently take corrective action as promptly as reasonably possible. No requests for service will be accepted if received more than 30 days after the warranty expires. Warranty is not transferable and does not apply to products used in commercial/rental applications.

Sewage Pumps

DO NOT return a sewage pump (that has been installed) to your retail store. Contact FLOTEC Customer Service. Sewage pumps that have seen service and been removed carry a contamination hazard with them.

If your sewage pump has failed:

- Wear rubber gloves when handling the pump;
- For warranty purposes, return the pump’s cord tag and original receipt of purchase to the retail store;
- Dispose of the pump according to local disposal ordinances.

Exceptions to the Twelve (12) Month Limited Warranty

Product	Warranty Period
FP0F360AC, FP0FDC	90 days
FP0S1775A, FP0S1790PCA, FP0S2400A, FP0S2450A, FP0S4100X, FP2800DCC, FPCP-20ULST, FPPSS3000, FPSC2150A, FPSC3150A, FPSC3350A	2 Years
4” Submersible Well Pumps, FP0S3200A, FP0S3250A, FP0S6000A, FPSC1725X, FPSC2200A, FPSC2250A, FPSE3601A, FPPSS5000	3 Years
FP7100 Series Pressure Tanks, E100ELT, E3305TLT, E3375TLT, E5005TLTT, E50TLT, E50VLT, E75STVT, E75VLT, FPSC3200A, FPSC3250A, FPSC4550A	5 Years

General Terms and Conditions; Limitation of Remedies

You must pay all labor and shipping charges necessary to replace product covered by this warranty. This warranty does not apply to the following: (1) acts of God; (2) products which, in FLOTEC’s sole judgment, have been subject to negligence, abuse, accident, misapplication, tampering, or alteration; (3) failures due to improper installation, operation, maintenance or storage; (4) atypical or unapproved application, use or service; (5) failures caused by corrosion, rust or other foreign materials in the system, or operation at pressures in excess of recommended maximums.

This warranty sets forth FLOTEC’s sole obligation and purchaser’s exclusive remedy for defective products.

FLOTEC SHALL NOT BE LIABLE FOR ANY CONSEQUENTIAL, INCIDENTAL, OR CONTINGENT DAMAGES WHATSOEVER. THE FOREGOING LIMITED WARRANTIES ARE EXCLUSIVE AND IN LIEU OF ALL OTHER EXPRESS AND IMPLIED WARRANTIES, INCLUDING BUT NOT LIMITED TO IMPLIED WARRANTIES OF MERCHANTABILITY AND FITNESS FOR A PARTICULAR PURPOSE. THE FOREGOING LIMITED WARRANTIES SHALL NOT EXTEND BEYOND THE DURATION PROVIDED HEREIN.

Some states do not allow the exclusion or limitation of incidental or consequential damages or limitations on how long an implied warranty lasts, so the above limitations or exclusions may not apply to You. This warranty gives You specific legal rights and You may also have other rights which vary from state to state.

FLOTEC • 293 Wright Street • Delavan, WI U.S.A. 53115
Phone: 800-365-6832 • Fax: 800-526-3757 • www.flotecwater.com