



**MODEL 301-GT-C3**  
 with standard foam inserts

**Features**

- » Durable polyethylene construction
- » Two-piece design with easy lift-off access
- » ASSE approval on all three classifications
- » Built-in double-locking hasp
- » Insect-resistant ventilation media



**MODEL 302-BG-C3**  
 with standard foam inserts

**FOR OUTDOOR INSTALLATIONS**

Our insulated and uninsulated enclosures are designed primarily for the backflow market and fit ¾" – 2" backflow assemblies and pressure vacuum breakers. Available in three configurations: **1)** Dekorra box and base only; **2)** Dekorra backflow box and base with an insulated pouch providing R-13 insulation; or **3)** Dekorra backflow box and base with insulation and self-regulating heat source. **4)** Optional Cage View™ design allows for easy visual inspection and vandal protection. Choose from two natural tones—Green Turf or Brown Granite.

Job Name _____	Contractor _____
Job Location _____	Approval _____
Engineer _____	Contractor's P.O. Number _____
Approval _____	Representative _____
Model _____	Options _____

**Specifications**

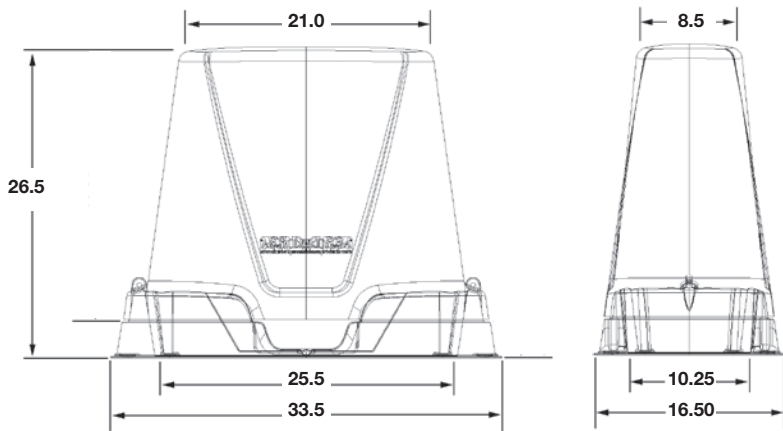
Dekorrra Backflow Enclosures incorporate features to provide for positive drainage, security, and accessibility for monitoring, testing, repairing and replacing components. The enclosure provides freeze protection, freeze retardant or non-freeze protection of the components inside.

**ASSE Classes**

- » **CLASS I** – Freeze protection. Dekorra Enclosures Class I and I-V shall have a minimum thermal resistance value of eight and a positive means of heat. Dekorra Backflow enclosures have been designed and constructed to maintain a minimum internal temperature of 40.0°F.
- » **CLASS II** – Freeze retardant. Dekorra Enclosures Class II and II-V shall have a minimum thermal resistance value of eight. Dekorra Backflow enclosures have been designed and constructed to be installed in minimum external temperatures of 33.0°F.
- » **CLASS III** – Non-freeze protection. Dekorra Enclosures Class III and III-V are designed and constructed to provide system security for components when freezing temperatures are not a consideration.



**MODEL 301-BG-CV**

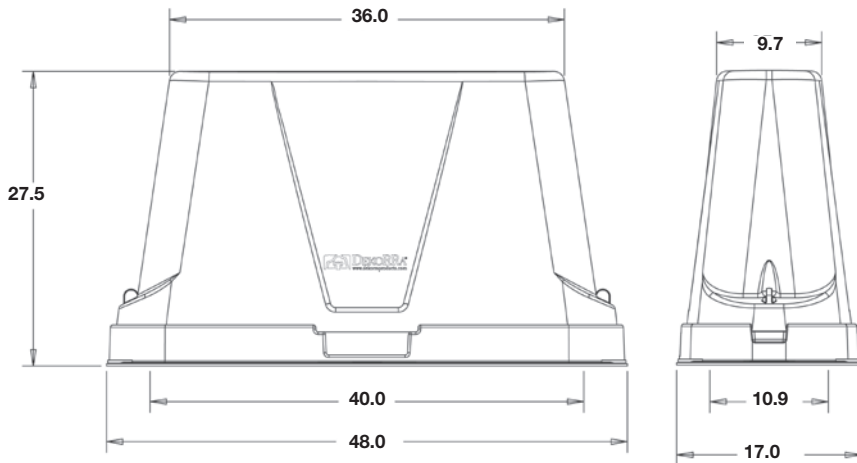


## MODEL 301

**Model 301:** Backflow enclosure. 33.5" L x 16.5" W x 26.5" H  
Weight: 15 lbs.  
5 units per case.

**ASSE Classifications:** CLASS III (non-insulated). CLASS II (insulated). CLASS I (insulated & heated). CV (CageView™: See-through metal panels on both sides of enclosure)

**Model 321:** Pump enclosure. Unit has a solid base for mounting a pump.



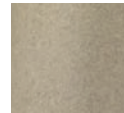
## MODEL 302

**Model 302:** Backflow enclosure. 48" L x 17" W x 27.5" H  
Weight: 25 lbs.  
5 units per case.

**ASSE Classifications:** CLASS III (non-insulated). CLASS II (insulated). CLASS I (insulated & heated). CV (CageView™: See-through metal panels on both sides of enclosure)

**Model 322:** Pump enclosure. Unit has a solid base for mounting a pump.

### COLOR CHOICES FOR BOTH MODELS



BG - BROWN GRANITE



GT - GREEN TURF



MODEL 301-BG-C3

**Model 301-BG-C3**  
UPC 6 56803 33012 9

**Model 301-BG-C2**  
UPC 6 56803 23012 2

**Model 301-BG-C1**  
UPC 6 56803 13012 5



MODEL 301-GT-C3

**Model 301-GT-C3**  
UPC 6 56803 33011 2

**Model 301-GT-C2**  
UPC 6 56803 23011 5

**Model 301-GT-C1**  
UPC 6 56803 13011 8



MODEL 301-BG-CV

**CageView™**  
**Model 301-GT-CV**  
UPC 6 56803 63011 3

**Model 301-BG-CV**  
UPC 6 56803 63012 0

**Model 302-BG-C3**  
UPC 6 56803 33022 8

**Model 302-BG-C2**  
UPC 6 56803 23022 1

**Model 302-BG-C1**  
UPC 6 56803 13022 4



MODEL 302-BG-C3



Not shown:

**Model 302-GT-C3**  
UPC 6 56803 33021 1

**Model 302-GT-C2**  
UPC 6 56803 23021 4

**Model 302-GT-C1**  
UPC 6 56803 13021 7

**CageView™**

**Model 302-GT-CV**  
UPC 6 56803 63021 2

**Model 302-BG-CV**  
UPC 6 56803 63022 9

This enclosure's base has a solid floor for mounting a pump.



**Model 321 Dimensions:**  
33.5" L x 16.5" W x 26.5" H

**Model 321-GT**  
UPC 6 56803 03011 1

**Model 321-BG**  
UPC 6 56803 03012 8

**Model 322 Dimensions:**  
48" L x 17" W x 27.5" H

**Model 322-GT**  
UPC 6 56803 03021 0

**Model 322-BG**  
UPC 6 56803 03022 7



**Foam Inserts**  
**Model 701-FV**

Foam inserts for ventilation are included with each enclosure.



**Metal Vents**  
**Model 701-MV**

Optional metal grate vents are also available.

Hardware is included with each enclosure for anchoring to a concrete pad. Stakes are also included for situations where no concrete pad is required.

