



250

Alto™ I



Round, Vitreous China
Self-Rimming Lavatory



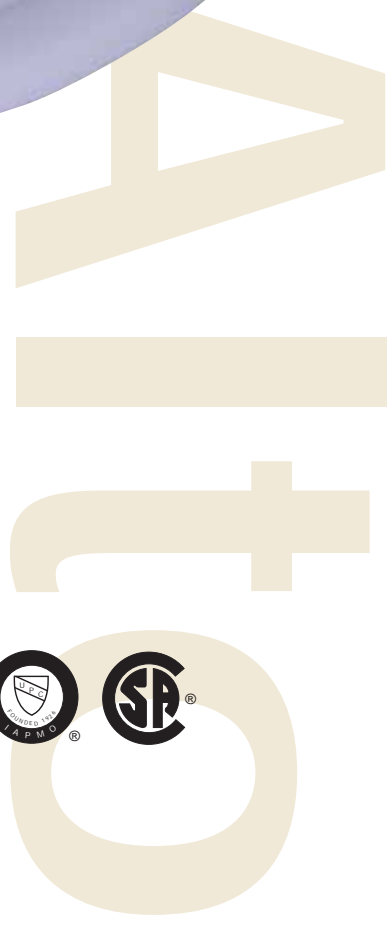
Features

- 19" Round Self-Rimming Vitreous China Lavatory
- Available with Single Hole, 4" or 8" Faucet Centers
- Extra-Wide Tapered Rim
- Concealed Front Overflow
- Available in White, Standard, Premium and Designer Colors (Consult Price Book for Specific Colors)
- Outstanding Protection - The Mansfield® Limited Lifetime Warranty
- Complies with ADA Requirements for Accessibility

Model 250-8
Shown in Orchid Mist
(Faucet and drain
assembly not included)

Model Numbers

Order No.	Description	Approx. Wt.
250-1	19" Round, self-rimming lavatory. Single hole faucet center. Complete with template and installation instructions. Less faucet and drain assembly. Specify color. ADA compliant.	18 lbs. (8 kg)
250-4	Same as above with 4" faucet centers. Specify color.	18 lbs. (8 kg)
250-8	Same as above with 8" faucet centers. Specify color.	18 lbs. (8 kg)



250

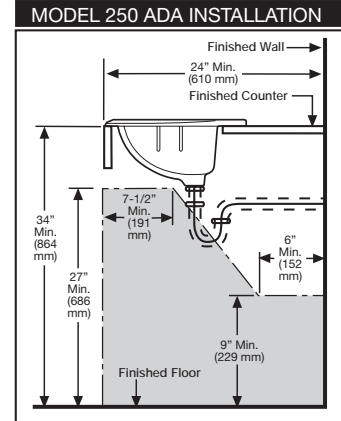
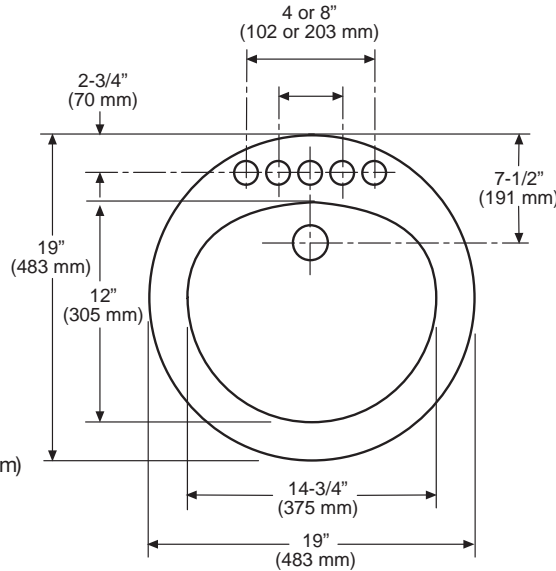
Alto™ I

Round, Vitreous China
Self-Rimming Lavatory

Rough-in Dimensions

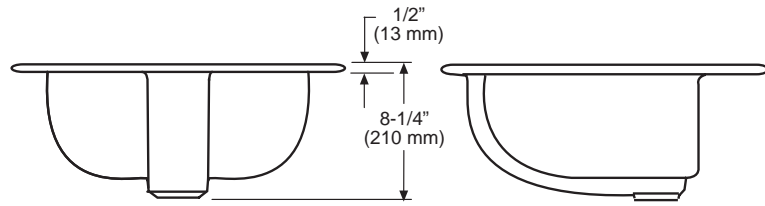
Specifications

Material	Vitreous China
Size	Model 250 19" Round (483 mm)
Basin	Model 250 12" x 14-3/4" (305 mm x 375 mm)
Faucet Holes	Single Hole – 1-7/16" 4" Faucet Hole – 1-3/16" (All Holes) 8" Faucet Hole – 1-7/16" (All Holes)
Shipping Dimensions	19-5/8" x 19-5/8" x 8-3/4" (498 mm x 498 mm x 222 mm)
Shipping Weight	20.6 lbs. (9 kg)
Warranty	Limited Lifetime

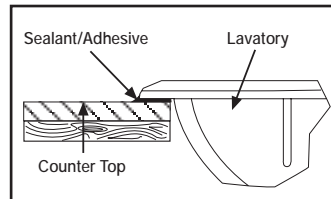


These dimensions are nominal and are subject to change without prior notice.

Fixture performance and specifications meet or exceed, ANSI/ASME A112.19.4M and CSA B45.3 standards, and other state and local codes.



NOTE: Rough-in measurements may vary 1/4" (6.4 mm ±).



See our complete line of acrylic, vitreous china, cast iron and enameled steel bathroom and kitchen fixtures, plastic tank trim and plumbing products.



Mansfield® Plumbing Products LLC • Sales Services Toll Free 877-850-3060 • Fax 419-938-6234
Website: www.mansfieldplumbing.com • Email: custserv@mansfieldplumbing.com

Form No. M250 Printed in U.S.A. 11/04
© 2004 Mansfield Plumbing Products LLC