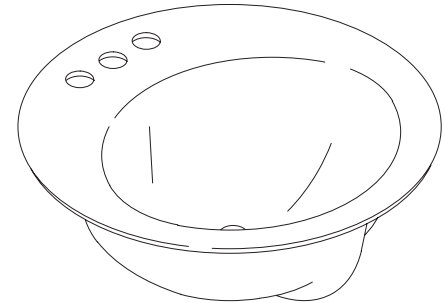


COUNTERTOP LAVATORY

K-2910

ADA



FEATURES

- 18" (45.7cm) diameter
- Cast iron
- Metal frame mounting
- 4" (10.2cm) centers (K-2910-4) or single-hole (K-2910-1)
- With overflow
- ADA compliant

CODES/STANDARDS APPLICABLE

Specified model meets or exceeds the following:

- ADA
- ASME/ANSI A112.19.2M
- CABO/ANSI A117.1
- IAPMO/UPC
- Canadian Standards Association (CSA)
- State of Massachusetts

COLORS/FINISHES

- 0 White
- Other Refer to Fixtures Price Book for additional colors

Accessories:

- CP Polished Chrome
- Other Refer to Faucets Price Book for additional finishes
- NA None Applicable

SPECIFIED MODEL:

Model	Description	Colors/Finishes	
K-2910-4	4" (10.2cm) centers lavatory	<input type="checkbox"/> 0 White	<input type="checkbox"/> Other _____
K-2910-1	Single-hole lavatory	<input type="checkbox"/> 0 White	<input type="checkbox"/> Other _____

Recommended Accessories			
K-8998	Trap	<input type="checkbox"/> CP	<input type="checkbox"/> Other _____
Required Accessories			
K-6687	Metal frame		<input type="checkbox"/> NA

PRODUCT SPECIFICATION:

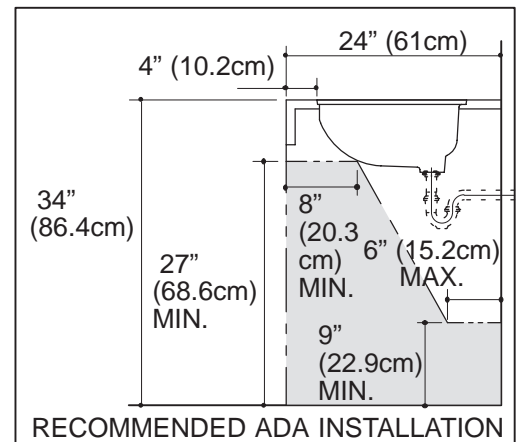
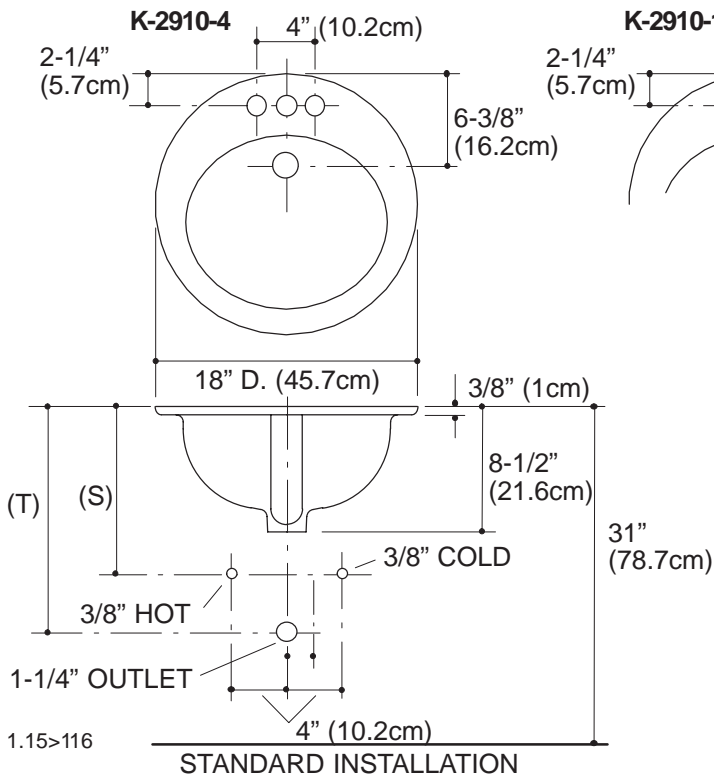
The countertop lavatory shall be 18" (45.7cm) in diameter. Lavatory shall be made of cast iron. Lavatory shall be used for mounting with metal frame (K-6687). Lavatory shall have 4" (10.2cm) centers (K-2910-4) or single-hole (K-2910-1) drilling. Lavatory shall have overflow. Lavatory shall be ADA compliant. Lavatory shall be Kohler Model K-2910-_____-_____-_____.

RADIANT™

PRODUCT INFORMATION

ADA compliant.			
Fixture*:		basin area	water depth
Lavatory		14" (35.6cm) x 12" (30.5cm)	5" (12.7cm)
Outlet	1-11/16" D. (4.3cm)		
* Approximate measurements for comparison only.			
Holes	K-2910-4	K-2910-1	
Spout	1-1/8" D. (2.9cm)	1-3/8" D. (3.5cm)	
Faucet	1-3/16" D. (3cm)		
Included Components:			
Overflow ferrule			84896

INSTALLATION NOTES



(T) Pop-up drain 14-1/8" (35.9cm), grid drain 13-1/4" (33.7cm).	
(S) 10" (25.4cm) (Based on 12" (30.5cm) riser which may require cutting).	
Cutout	metal frame required

PRODUCT DIAGRAM