

### COUNTERTOP LAVATORY K-2900

ADA

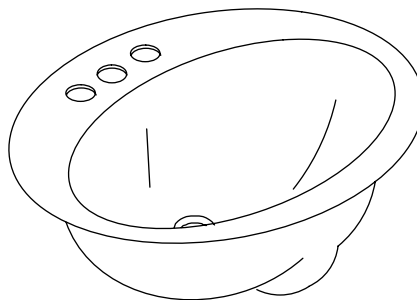
#### Features

- KOHLER cast iron
- Metal frame mounting
- With overflow
- ADA compliant
- 4" (10.2 cm) centers (-4)
- 19-1/4" (48.9 cm) x 16-1/4" (41.3 cm)

#### Codes/Standards Applicable

Specified model meets or exceeds the following:

- ASME A112.19.1M
- IAPMO/UPC
- ADA
- ICC/ANSI A117.1
- CSA B45



#### Colors/Finishes

- 0: White
- Other: Refer to Price Book for additional colors/finishes

#### Accessories:

- CP: Polished Chrome
- Other: Refer to Price Book for additional colors/finishes
- NA: None applicable

#### Specified Model

Model	Description	Colors/Finishes	
K-2900-4	Lavatory with 4" (10.2 cm) centers for mounting with metal frame	<input type="checkbox"/> 0	<input type="checkbox"/> Other_____
<b>Required Accessories</b>			
K-6683-4	Metal frame	<input type="checkbox"/> NA	
<b>Recommended Accessories</b>			
K-8998	P-Trap	<input type="checkbox"/> CP	<input type="checkbox"/> Other_____

#### Product Specification

The lavatory shall be 19-1/4" (48.9 cm) in length and 16-1/4" (41.3 cm) in width. Lavatory shall be made of cast iron. Lavatory shall be for mounting with metal frame (K-6683). Lavatory shall have 4" (10.2 cm) centers (-4). Lavatory shall have overflow. Lavatory shall be ADA compliant. Lavatory shall be Kohler Model K-2900-4-\_\_\_\_\_.

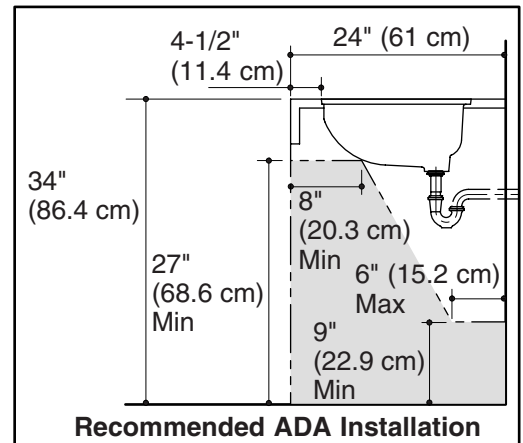
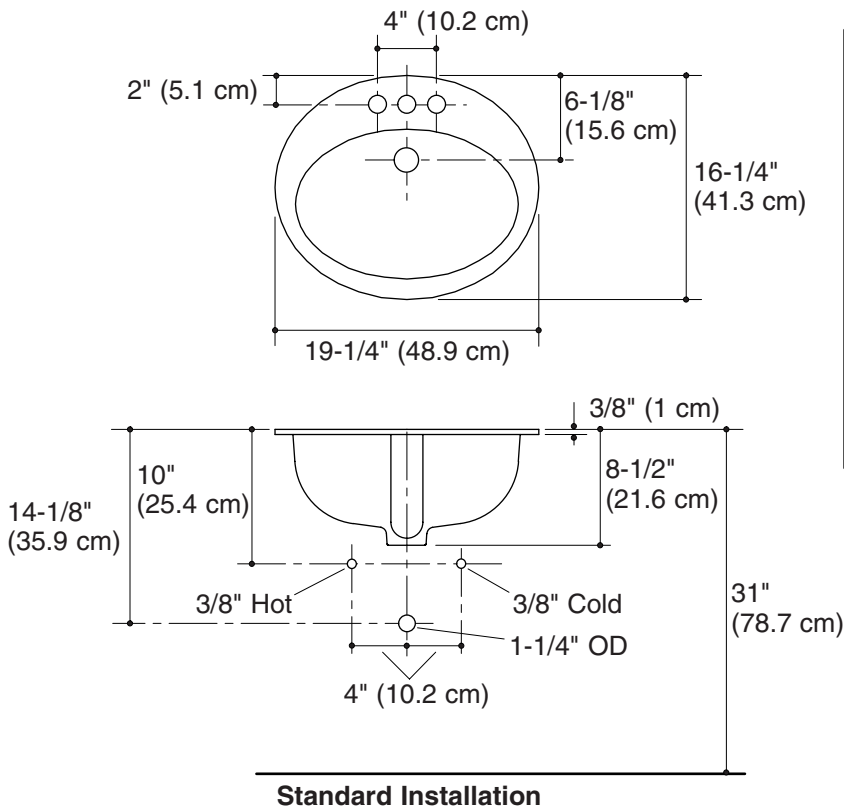
# FARMINGTON™

## Technical Information

Lavatory is ADA compliant. <span style="float: right;"><b>ADA</b></span>	
Fixture*:	
Basin area	16" (40.6 cm) x 11" (27.9 cm)
Water depth	5" (12.7 cm)
Drain hole	1-11/16" (4.3 cm) D.
Spout hole	1-1/8" (2.9 cm) D.
Faucet hole	1-3/16" (3 cm) D.
*Approximate measurements for comparison only.	
Included components:	
Overflow ferrule	84896

## Installation Notes

Install this product according to the installation guide.



## Product Diagram