

# FasNSeal<sup>®</sup>

AL29-4C<sup>®</sup> (UNS S44735)  
Direct Vent System  
for Category II, III & IV  
Heating Equipment  
3" through 16"



**PROTECH SYSTEMS, INC.**  
LEADERS IN VENTING TECHNOLOGY

Set the standard as the first vent system with a built-in gasket and locking band, designed for high efficiency gas heaters where cool flue gases are vented under pressure.

patent # 6,026,803  
additional patents pending ©2005



**PROTECH SYSTEMS, INC.**  
LEADERS IN VENTING TECHNOLOGY

Since 1981, ProTech Systems, Inc. (PTS) has developed and delivered innovative vent products to the American Market. PTS has long been recognized as a leader in the Hearth Market and, with the introduction of FasNSeal® to the HVAC industry, has established yet another benchmark.

**VENTINOX®** was the first Chimney Lining System in the U.S. to earn the listing by Underwriters Laboratories in 1982. Utilizing a unique welding technique, **VENTINOX®** still maintains its technological lead today and has established a long and impeccable track record.

PTS started producing the first chimney liner ever made from AL29-4C® in 1986 and has gained unprecedented manufacturing experience with this superferritic stainless steel.

Our know-how was leveraged when a brand new manufacturing facility was established to build FasNSeal®, the first gasketed and butt-welded vent system for high efficiency gas fired equipment. Research had indicated that the HVAC market needed a product that was safe and reliable, easy to install, cost effective and projected a professional image. Since its introduction in 1996, FasNSeal® has become the market leader and standard for today's venting products. To our many customers in the HVAC industry, ProTech Systems has proven to be a prompt, reliable and responsive business partner.

\*AL29-4C® is a registered Trademark of Allegheny Ludlum, Inc.

## Material Selection and Experience Counts

FasNSeal® is manufactured from **AL29-4C®**, a superferritic **stainless steel** designed for extreme resistance to chloride ion pitting, crevice corrosion and stress corrosion cracking, as well as general corrosion in oxidizing and moderately reducing environments. AL29-4C® is an **ideal choice for resisting** deleterious effects of **corrosive condensates** created by partially or fully condensing natural gas and propane fired heating appliances.

The Canadian Gas Research Institute found that test results proved AL29-4C® to be one of two "most corrosion resistant alloys of twenty candidate stainless steels evaluated for resistance to chloride-induced corrosion in condensing and partially condensing gas-fired appliances".

CLEARANCE TO COMBUSTIBLES					
Rated Operating Temperature	Enclosed			Unenclosed	
	Hor	Vert	Hor	Vert	Vert
3" & 4"	300 F / 149 C	Sides: 8" / 203.2mm Top: 12" / 304.8mm	4" / 101.6mm	1" / 25.4mm	1" / 25.4mm
	480 F / 249 C	Bottom: 4" / 101.6mm	4" / 101.6mm	3" / 76.2mm	1" / 25.4mm
5" to 16"	300 F / 149 C	Noncombustible enclosure			3" / 76.2mm
	480 F / 249 C				3" / 76.2mm

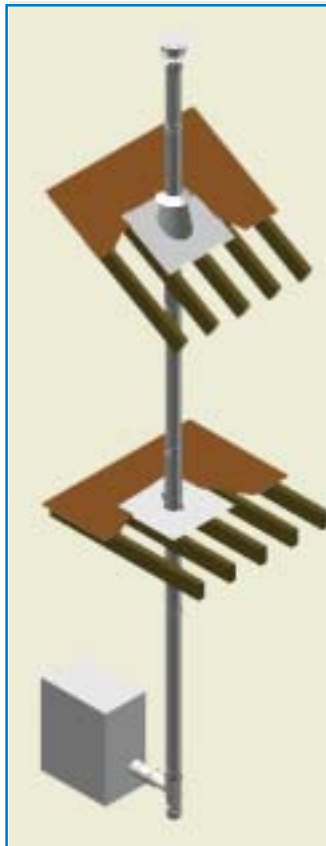
Rated Operating Temperature of 300°F = Max Flue Gas Temperature of 375°F  
Rated Operating Temperature of 480°F = Max Flue Gas Temperature of 550°F

FasNSeal® has been tested and is listed by Underwriters Laboratories, Inc. to UL 1738 and ULC-S636-95.

ProTech Systems' own experience with AL29-4C® dates back to 1986, when **VENTINOX®VG** for gas appliances was introduced as the first chimney lining system made from this alloy.

**VENTINOX®** provides safe venting in thousands of American homes today and features a lifetime warranty.

MATERIAL THICKNESS AL29-4C®	
3"-7" (76.2mm-177.8mm)	.016" (.4mm)
8"-12" (203.2mm-304.8mm)	.019" (.5mm)
14"-16" (355.6mm-406.4mm)	.024" (.6mm)



**FasNSeal®**  
Vertical,  
through the roof  
Installation



### FasNSeal® Applications

FasNSeal® is a Special **Gas Vent** and **Gas Vent Connector**, made from AL29-4C® stainless steel and designed for use on natural gas or propane-fired appliances listed as Category II, III and IV or in Canada Type BH Gas Vent Systems having a rated operating temperature of 480 degrees F and maximum positive pressure of 6" water column.

FasNSeal® provides **horizontal or vertical venting** for high efficiency gas boilers, furnaces, booster heaters, pool heaters, water heaters, unit heaters or tankless water heaters. FasNSeal® may also be used as a vent for Category I, natural gas or propane-fired heaters.

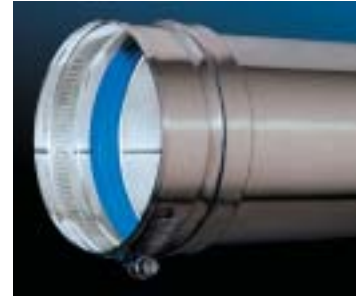
FasNSeal® must be sized according to the heating appliance manufacturers instructions, NFPA 211, NFPA 54 and any other relevant local building codes and regulations (see installation instructions for details!).

# Fully Compatible With Double Wall FasNSeal®W2

## FasNSeal® is a Heating Contractor's Dream Come True!

Each vent length and component features a **built-in mechanical locking band and gasket**. Parts are simply pushed together to a stop bead, which renders the joints air and water-tight. By tightening the integrated mechanical locking band, **parts are fastened together in seconds**. FasNSeal® can be taken apart and reassembled in minutes, making **inspection, maintenance or rerouting of FasNSeal® systems a breeze**. Should a part or gasket ever become damaged, replacement takes less than five minutes and the integrity of the system is not compromised!

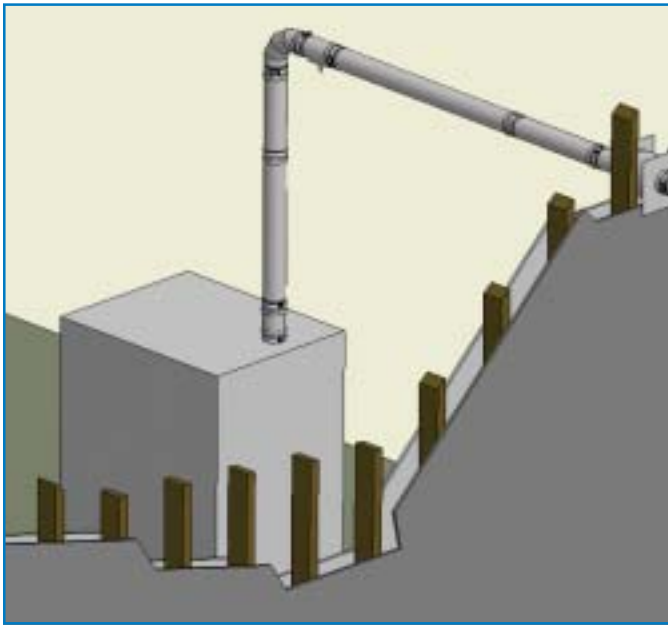
Adjustable vent lengths featured in our Wall Thimbles allow for **built-in horizontal adjustability without the need for cutting pipe**. Our standard Adjustable Vent Length allows 2" to 12" of adjustment, making pitching FasNSeal® to properly drain condensate simple. Connecting FasNSeal® to a heater is done efficiently with one of our many adaptors approved by heating appliance manufacturers. Heating equipment can be fired up immediately upon completing a FasNSeal® installation, as **no cure time or cleanup is required**. **PTS listened to the installer and came up with the perfect way to join FasNSeal® parts**. No cutting, no exterior clamps, no joints to wipe with alcohol, no rings, no tabs, no mess to clean.



## FasNSeal® is Built for Performance

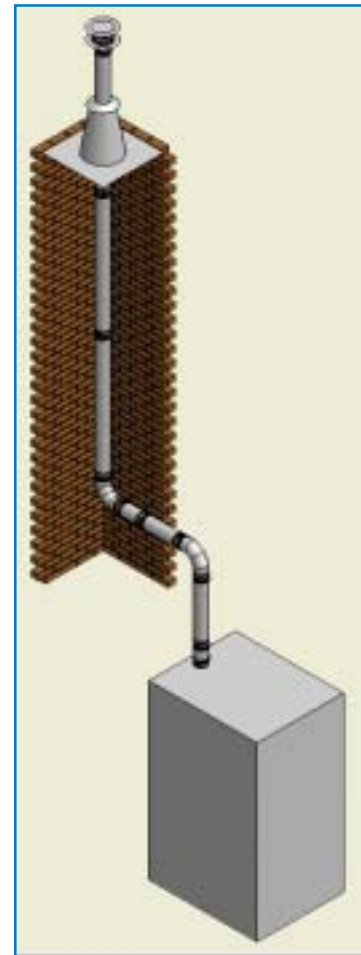
Proven since 1996, FasNSeal® features a **smooth weld seam inside and out**, which is completely shielded during the TIG welding process. Contamination or molecular changes in the weld seam are avoided; no fillers are used in the welding process.

Tube ends are formed under the most **stringent quality standards** to guarantee a perfect fit every time and to avoid built-in stress points or weak areas.



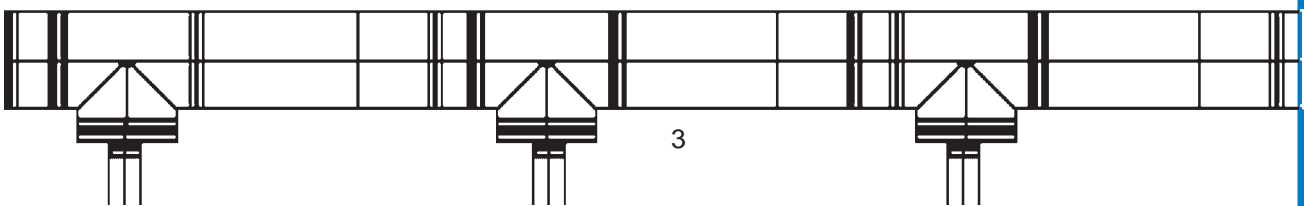
FasNSeal®  
Horizontal,  
through the wall  
Installation

FasNSeal®  
Inside  
masonry  
Chimney

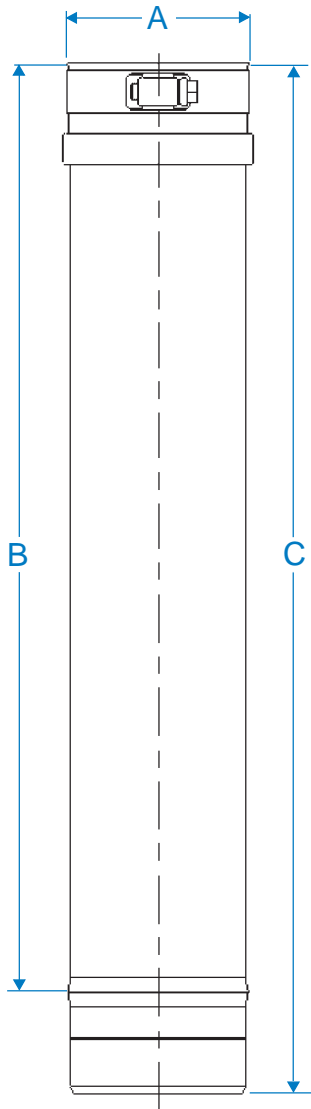


## FasNSeal® Technical Support Is Second To None

Submit your specifications on a submittal request form along with your layout and PTS will supply comprehensive submittal drawings and a complete bill of materials within 48 business hours. Unless your specs are changed more than once, this service is provided free of charge. For technical or marketing information visit our website at [protechinfo.com](http://protechinfo.com). You can contact our technical department at [support@protechinfo.com](mailto:support@protechinfo.com) or call **1.800.766.3473** should you prefer personal technical support.



GENERAL VENTING



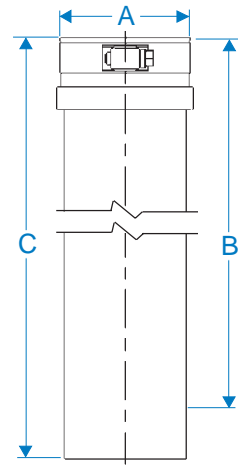
FasNSeal Single Wall and FasNSeal®W2 Double Wall are interchangeable

FasNSeal®Vent Length					
A Vent Dia.	B Eff. Lgth	C	D	Product Number	Part Number
3	4.0	6.0		300001	FSVL603
	10.0	12.0		300015	FSVL1203
	16.0	18.0		300045	FSVL1803
	22.0	24.0		300060	FSVL2403
	34.0	36.0		300075	FSVL3603
	58.0	60.0		300090	FSVL6003
4	4.0	6.0		300002	FSVL604
	10.0	12.0		300016	FSVL1204
	16.0	18.0		300046	FSVL1804
	22.0	24.0		300061	FSVL2404
	34.0	36.0		300076	FSVL3604
	58.0	60.0		300091	FSVL6004
5	4.0	6.0		300003	FSVL605
	10.0	12.0		300017	FSVL1205
	16.0	18.0		300047	FSVL1805
	22.0	24.0		300062	FSVL2405
	34.0	36.0		300077	FSVL3605
6	4.0	6.0		300004	FSVL606
	10.0	12.0		300018	FSVL1206
	16.0	18.0		300048	FSVL1806
	22.0	24.0		300063	FSVL2406
	34.0	36.0		300078	FSVL3606
7	4.0	6.0		300005	FSVL607
	10.0	12.0		300019	FSVL1207
	16.0	18.0		300049	FSVL1807
	22.0	24.0		300064	FSVL2407
	34.0	36.0		300079	FSVL3607
8	4.0	6.0		300006	FSVL608
	10.0	12.0		300020	FSVL1208
	16.0	18.0		300050	FSVL1808
	22.0	24.0		300065	FSVL2408
	34.0	36.0		300080	FSVL3608
9	4.0	6.0		300007	FSVL609
	10.0	12.0		300021	FSVL1209
	16.0	18.0		300051	FSVL1809
	22.0	24.0		300066	FSVL2409
	34.0	36.0		300081	FSVL3609
10	4.0	6.0		300008	FSVL610
	10.0	12.0		300022	FSVL1210
	16.0	18.0		300052	FSVL1810
	22.0	24.0		300067	FSVL2410
	34.0	36.0		300082	FSVL3610
12	4.0	6.0		300009	FSVL612
	10.0	12.0		300023	FSVL1212
	16.0	18.0		300053	FSVL1812
	22.0	24.0		300068	FSVL2412
	34.0	36.0		300083	FSVL3612
14	4.0	6.0		300010	FSVL614
	10.0	12.0		300024	FSVL1214
	16.0	18.0		300054	FSVL1814
	22.0	24.0		300069	FSVL2414
	34.0	36.0		300084	FSVL3614
16	4.0	6.0		300011	FSVL616
	10.0	12.0		300025	FSVL1216
	16.0	18.0		300055	FSVL1816
	22.0	24.0		300070	FSVL2416
	34.0	36.0		300085	FSVL3616

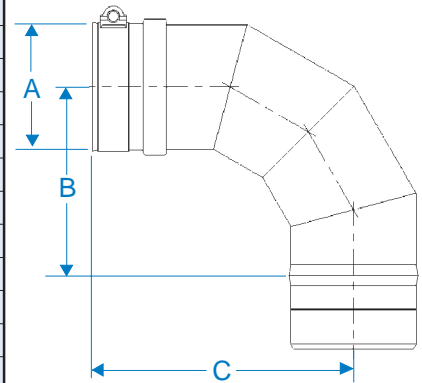




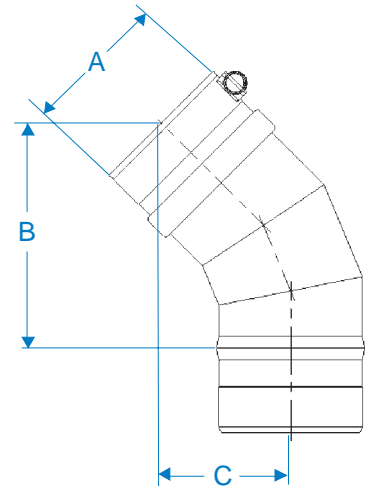
FasNSeal® Adjustable Vent Length					
A	B	C	D	Product Number	Part Number
Vent Dia.	Eff. Lgth				
3	2.0-14.0	18.0		300250	FSAVL3
4	2.0-14.0	18.0		300251	FSAVL4
5	2.0-14.0	18.0		300252	FSAVL5
6	2.0-14.0	18.0		300253	FSAVL6
7	2.0-14.0	18.0		300254	FSAVL7
8	2.0-14.0	18.0		300255	FSAVL8
9	2.0-14.0	18.0		300256	FSAVL9
10	2.0-14.0	18.0		300257	FSAVL10
12	2.0-14.0	18.0		300258	FSAVL12
14	2.0-14.0	18.0		300259	FSAVL14
16	2.0-14.0	18.0		300260	FSAVL16



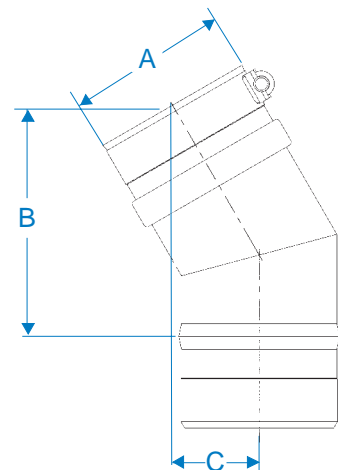
FasNSeal® 90 Degree Elbow					
A	B	C	D	Product Number	Part Number
Vent Dia.	Eff. Lgth				
3	3.9	5.9		300160	FSELB9003
4	4.4	6.4		300161	FSELB9004
5	4.9	6.9		300162	FSELB9005
6	5.4	7.4		300163	FSELB9006
7	5.9	7.9		300164	FSELB9007
8	6.4	8.4		300165	FSELB9008
9	6.9	8.9		300166	FSELB9009
10	7.4	9.4		300167	FSELB9010
12	8.4	10.4		300168	FSELB9012
14	9.4	11.4		300169	FSELB9014
16	10.1	12.4		300170	FSELB9016



FasNSeal® 45 Degree Elbow					
A	B	C	D	Product Number	Part Number
Vent Dia.	Eff. Lgth				
3	5.2	3.0		300130	FSELB4503
4	5.6	3.1		300131	FSELB4504
5	6.0	3.2		300132	FSELB4505
6	6.3	3.4		300133	FSELB4506
7	6.7	3.5		300134	FSELB4507
8	7.0	3.7		300135	FSELB4508
9	7.4	3.8		300136	FSELB4509
10	7.7	4.0		300137	FSELB4510
12	8.4	4.3		300138	FSELB4512
14	9.1	4.7		300139	FSELB4514
16	9.8	4.9		300140	FSELB4516

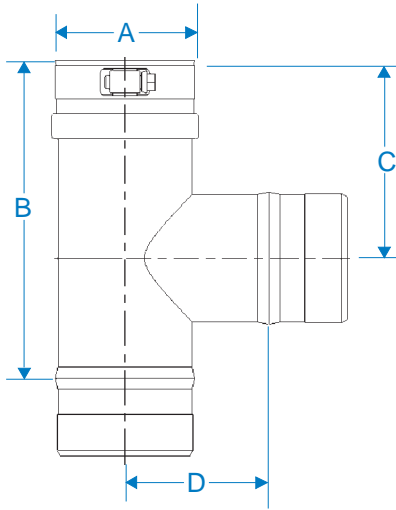


FasNSeal® 30 Degree Elbow					
A	B	C	D	Product Number	Part Number
Vent Dia.	Eff. Lgth				
3	4.9	1.8		300650	FSELB3003
4	5.2	1.9		300651	FSELB3004
5	5.4	2.0		300652	FSELB3005
6	5.7	2.0		300653	FSELB3006
7	5.9	2.1		300654	FSELB3007
8	6.1	2.2		300655	FSELB3008
9	6.4	2.2		300656	FSELB3009
10	6.7	2.3		300657	FSELB3010
12	7.2	2.4		300658	FSELB3012
14	7.7	2.6		300659	FSELB3014
16	8.2	2.7		300660	FSELB3016

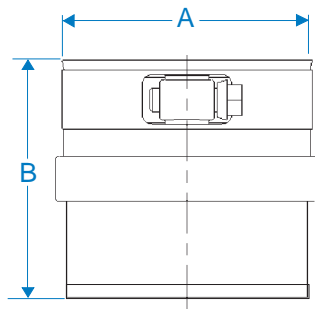


GENERAL VENTING

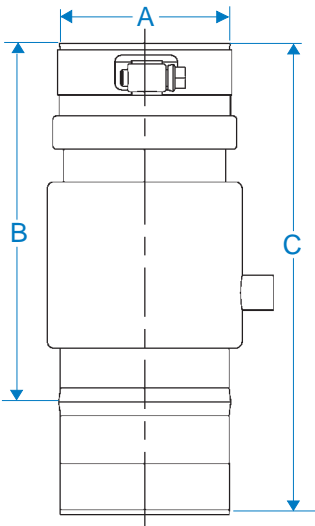
GENERAL VENTING



FasNSeal® Tee					
A	B	C	D	Product Number	Part Number
Vent Dia.	Eff. Lgth				
3	7.0	4.5	3.0	300175	FST3
4	8.0	5.0	3.5	300176	FST4
5	10.0	6.0	4.0	300177	FST5
6	10.0	6.0	4.5	300178	FST6
7	12.0	7.0	5.0	300179	FST7
8	14.0	8.0	5.5	300180	FST8
9	14.0	8.0	6.0	300181	FST9
10	14.0	8.0	6.5	300182	FST10
12	16.0	9.0	7.0	300183	FST12
14	20.0	11.0	8.5	300184	FST14
16	22.0	12.0	9.5	300185	FST16



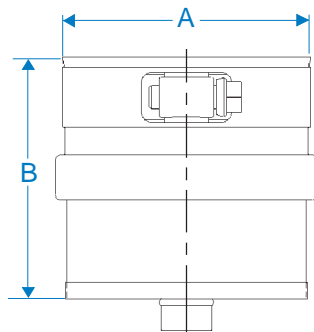
FasNSeal® Tee Cap					
A	B	C	D	Product Number	Part Number
Vent Dia.	Eff. Lgth				
3	3.0			300205	FSTC3
4	3.0			300206	FSTC4
5	3.0			300207	FSTC5
6	3.0			300208	FSTC6
7	3.0			300209	FSTC7
8	3.0			300210	FSTC8
9	3.0			300211	FSTC9
10	3.0			300212	FSTC10
12	3.0			300213	FSTC12
14	3.0			300214	FSTC14
16	3.0			300215	FSTC16



FasNSeal® Universal Condensate Drain					
A	B	C	D	Product Number	Part Number
Vent Dia.	Eff. Lgth				
4	6.4	8.4		300960	FSUCD4
5	6.4	8.4		300961	FSUCD5
6	6.4	8.4		300962	FSUCD6
7	6.4	8.4		300963	FSUCD7
8	6.4	8.4		300964	FSUCD8
9	6.4	8.4		300965	FSUCD9
10	6.4	8.4		300966	FSUCD10
12	6.4	8.4		300967	FSUCD12
14	6.4	8.4		300968	FSUCD14
16	6.4	8.4		300969	FSUCD16



HORIZONTAL VENTING

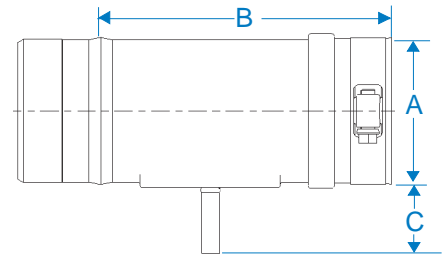


FasNSeal® Drain Fitting					
A	B	C	D	Product Number	Part Number
Vent Dia.	Eff. Lgth				
3	3.0			300220	FSDf3
4	3.0			300221	FSDf4
5	3.0			300222	FSDf5
6	3.0			300223	FSDf6
7	3.0			300224	FSDf7
8	3.0			300225	FSDf8
9	3.0			300226	FSDf9
10	3.0			300227	FSDf10
12	3.0			300228	FSDf12
14	3.0			300229	FSDf14
16	3.0			300230	FSDf16





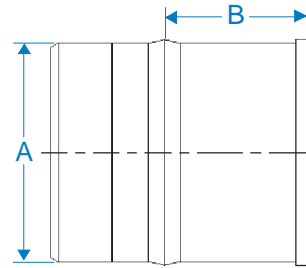
FasNSeal® Horizontal Drip Tee					
A	B	C	D	Product Number	Part Number
3	6.0	1.5		300236	FSHDT3
4	6.0	1.5		300237	FSHDT4
5-16			Use FST & FSDF		



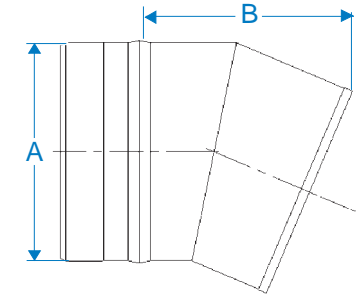
Engineering services are provided.  
Call 1.800.766.3473 or email  
engineering@protechinfo.com



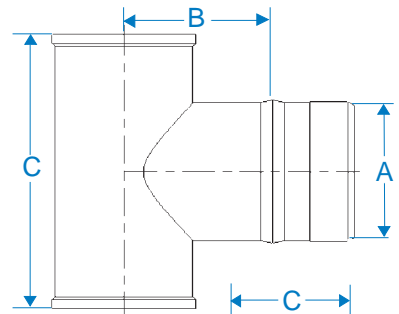
FasNSeal® Bird Screen					
A	B	C	D	Product Number	Part Number
3	2.0			300186	FSBS3
4	2.0			300187	FSBS4



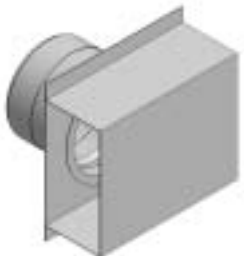
FasNSeal® 23 Degree Bird Screen					
A	B	C	D	Product Number	Part Number
5	4.8			300188	FSBS5
6	5.6			300189	FSBS6
7	6.4			300190	FSBS7
8	7.1			300191	FSBS8
9	7.9			300192	FSBS9
10	8.7			300193	FSBS10
12	10.2			300194	FSBS12
14	11.7			300195	FSBS14
16	13.2			300196	FSBS16



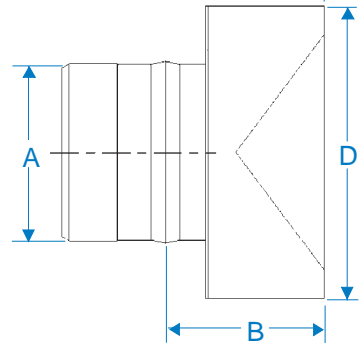
FasNSeal® Termination Tee					
A	B	C	D	Product Number	Part Number
3	3.0	6.0		300311	FSTT3
4	3.5	7.0		300312	FSTT4
5	4.0	8.0		300313	FSTT5
6	4.5	9.0		300314	FSTT6



FasNSeal® Single Wall & FasNSeal®W2  
Double Wall are interchangeable



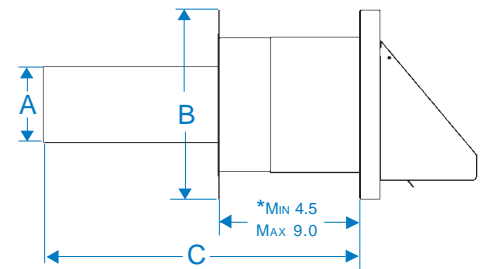
FasNSeal® Termination Box					
A	B	C	D	Product Number	Part Number
3	2.3	2.0	5.0	300500	FSTB3
4	2.3	2.0	6.0	300501	FSTB4



Email us at sales@protechinfo.com or Call  
1.800.766.3473 for Technical Support

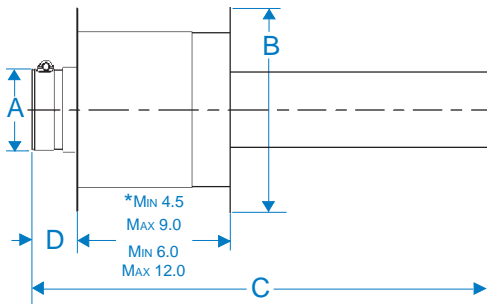


FasNSeal® Wall Thimble with Volumetric Damper					
A	B	C	D	Product Number	Part Number
3	9.0	18.0		300810	FSWTT3
4	10.0	18.0		300811	FSWTT4



HORIZONTAL VENTING

HORIZONTAL VENTING

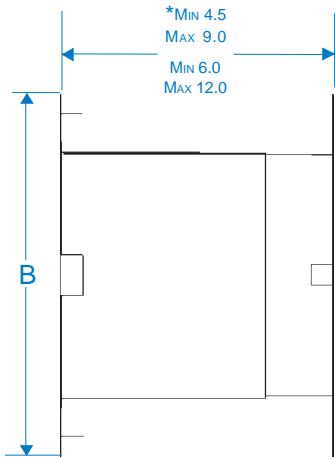


**FasNSeal® Wall Thimble with Adjustable Vent Length**

A Vent Dia.	B	C	D	Product Number	Part Number
3*	9.0	18.0	2.0	300280	FSWT3
4*	10.0	18.0	2.0	300281	FSWT4
5*	11.0	18.0	2.0	300282	FSWT5
6	12.0	18.0	2.0	300283	FSWT6
7	13.0	18.0	2.0	300284	FSWT7
8	14.0	18.0	2.0	300285	FSWT8
9	15.0	18.0	2.0	300286	FSWT9
10	16.0	18.0	2.0	300287	FSWT10
12	18.0	18.0	2.0	300289	FSWT12
14	20.0	18.0	2.0	300290	FSWT14
16	22.0	18.0	2.0	300291	FSWT16

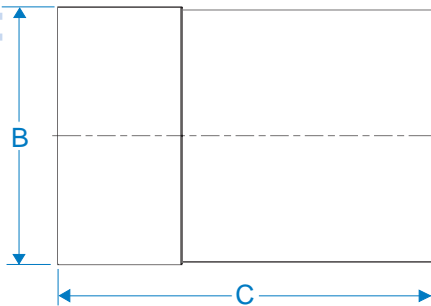
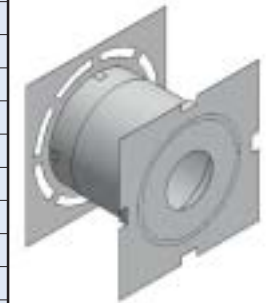


VERTICAL VENTING



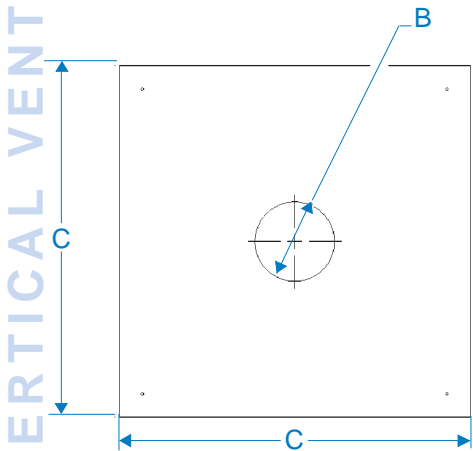
**FasNSeal® Wall Pass Through**

Vent Dia.	B	C	D	Product Number	Part Number
3*	9.0			300600	FSWPT3
4*	10.0			300601	FSWPT4
5*	11.0			300602	FSWPT5
6	12.0			300603	FSWPT6
7	13.0			300604	FSWPT7
8	14.0			300605	FSWPT8
9	15.0			300606	FSWPT9
10	16.0			300607	FSWPT10
12	18.0			300608	FSWPT12
14	20.0			300609	FSWPT14
16	22.0			300610	FSWPT16



**FasNSeal® Wall Thimble Sleeve Extension**

Vent Dia.	B	C	D	Product Number	Part Number
3	6.0	9.0		300839	FSWTE3
4	7.0	9.0		300840	FSWTE4
5	8.0	9.0		300841	FSWTE5
6	9.0	9.0		300842	FSWTE6
7	10.0	9.0		300843	FSWTE7
8	11.0	9.0		300844	FSWTE8
9	12.0	9.0		300845	FSWTE9
10	13.0	9.0		300846	FSWTE10
12	15.0	9.0		300847	FSWTE12
14	17.0	9.0		300848	FSWTE14
16	19.0	9.0		300849	FSWTE16



**FasNSeal® Firestop/Flat Flashing**

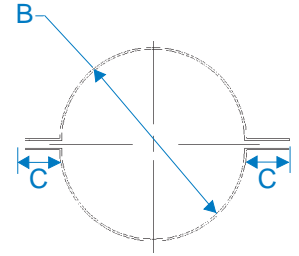
Vent Dia.	B	C	D	Product Number	Part Number
3	3.4	15.0		300295	FSFS3
4	4.4	15.0		300296	FSFS4
5	5.4	17.0		300297	FSFS5
6	6.4	17.0		300298	FSFS6
7	7.4	19.0		300299	FSFS7
8	8.4	19.0		300300	FSFS8
9	9.4	22.0		300301	FSFS9
10	10.4	22.0		300302	FSFS10
12	12.4	24.0		300322	FSFS12
14	14.4	26.0		300323	FSFS14
16	16.4	28.0		300324	FSFS16



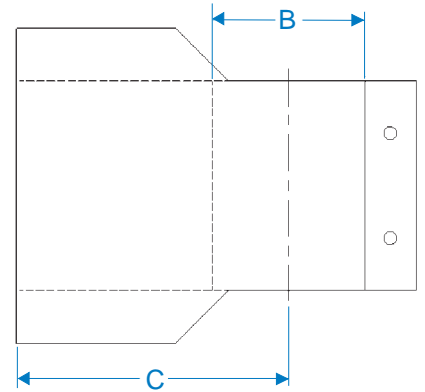




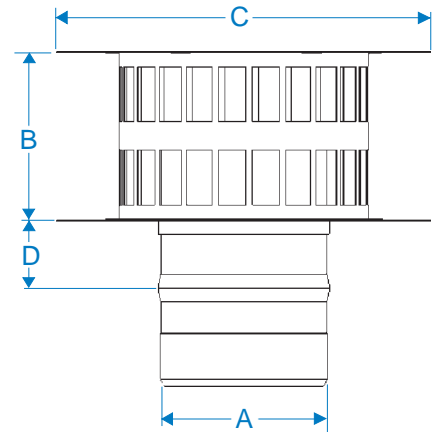
FasNSeal® Support Clamp					
Vent Dia.	B	C	D	Product Number	Part Number
3	3.0	1.5		300360	FSCL3
4	4.0	1.5		300361	FSCL4
5	5.0	1.5		300362	FSCL5
6	6.0	1.5		300363	FSCL6
7	7.0	1.5		300364	FSCL7
8	8.0	1.5		300365	FSCL8
9	9.0	1.5		300366	FSCL9
10	10.0	1.5		300367	FSCL10
12	12.0	1.5		300368	FSCL12
14	14.0	1.5		300369	FSCL14
16	16.0	1.5		300293	FSCL16



FasNSeal® Wall Bracket					
Vent Dia.	B	C	D	Product Number	Part Number
3	3.0	3.5		300430	FSWB3
4	4.0	4.0		300431	FSWB4
5	5.0	4.5		300432	FSWB5
6	6.0	5.0		300433	FSWB6
7	7.0	5.5		300434	FSWB7
8	8.0	6.0		300435	FSWB8
9	9.0	6.5		300436	FSWB9
10	10.0	7.0		300437	FSWB10
12	12.0	8.0		300438	FSWB12
14	14.0	9.0		300439	FSWB14
16	16.0	10.0		300440	FSWB16



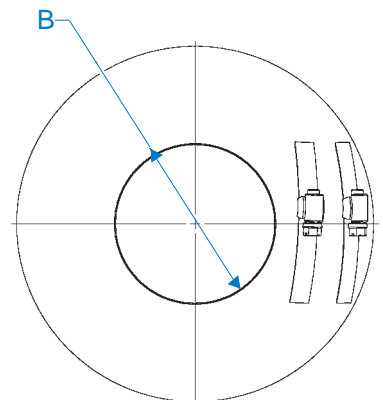
FasNSeal® Rain Cap						
Vent Dia.	A	B	C	D	Product Number	Part Number
3	3.5	6.8	1.0		300325	FSRC3
4	4.5	8.9	1.0		300326	FSRC4
5	5.8	11.3	1.0		300327	FSRC5
6	6.8	13.5	1.0		300328	FSRC6
7	7.8	15.8	1.0		300329	FSRC7
8	8.8	18.0	1.0		300330	FSRC8
9	10.0	20.3	1.0		300331	FSRC9
10	11.0	22.5	1.0		300332	FSRC10
12	13.0	27.0	1.0		300333	FSRC12
14	15.0	31.5	1.0		300334	FSRC14
16	17.0	36.0	1.0		300335	FSRC16



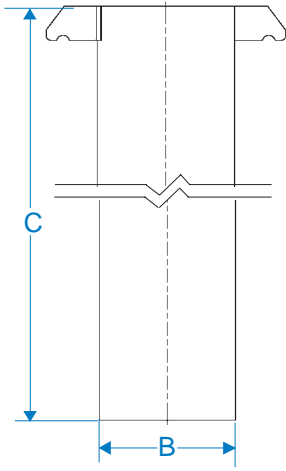
VERTICAL VENTING



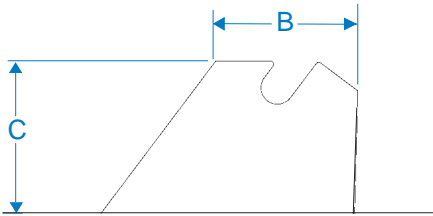
FasNSeal® Storm Collar					
Vent Dia.	B	C	D	Product Number	Part Number
3	3.0			300944	FSC3
4	4.0			300945	FSC4
5	5.0			300946	FSC5
6	6.0			300947	FSC6
7	7.0			300948	FSC7
8	8.0			300949	FSC8
9	9.0			300950	FSC9
10	10.0			300952	FSC10
12	12.0			300954	FSC12
14	14.0			300956	FSC14
16	16.0			300958	FSC16



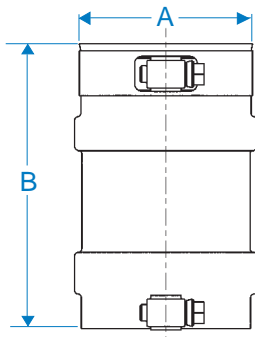
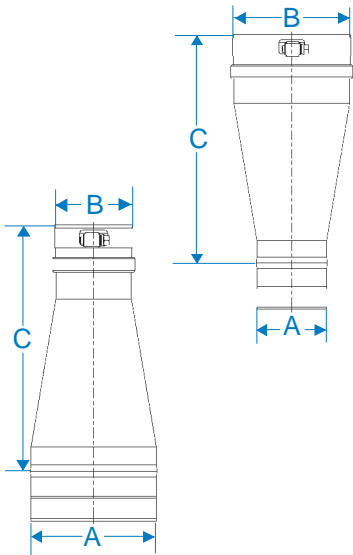
VERTICAL VENTING



Accommodates Flat to 9/12 Pitch



ADAPTERS



FasNSeal® Roof Jack (use with Variable Pitch Roof Flashing)					
Vent Dia.	B	C	D	Product Number	Part Number
3	4.0	18.0		300911	FSVRJ3
4	5.0	18.0		300912	FSVRJ4
5	6.0	18.0		300913	FSVRJ5
6	7.0	18.0		300914	FSVRJ6
7	8.0	18.0		300915	FSVRJ7
8	9.0	18.0		300916	FSVRJ8
9	10.0	18.0		300917	FSVRJ9
10	11.0	18.0		300918	FSVRJ10
12	13.0	18.0		300919	FSVRJ12
14	15.0	18.0		300920	FSVRJ14
16	17.0	18.0		300921	FSVRJ16

FasNSeal® Variable Pitch Roof Flashing					
Vent Dia.	B	C	D	Product Number	Part Number
3	5.2	8.7		300922	FSVPF3
4	6.2	8.7		300923	FSVPF4
5	7.2	8.7		300924	FSVPF5
6	8.2	8.7		300925	FSVPF6
7	9.2	8.7		300926	FSVPF7
8	10.2	8.7		300927	FSVPF8
9	11.2	8.7		300928	FSVPF9
10	12.2	8.7		300929	FSVPF10
12	14.2	8.7		300930	FSVPF12
14	16.2	8.7		300931	FSVPF14
16	18.2	8.7		300932	FSVPF16

FasNSeal® Tapered Increaser						
Vent Dia.	A	B	C Eff. Lgth	D	Product Number	Part Number
3	4		6.9		300700	FS0304TI
4	5		6.9		300710	FS0405TI

Increasers can be ordered to adjoin any size combination of pieces.

Stepped increasers and reducers are available by special order. Call customer service at 1.800.766.3473

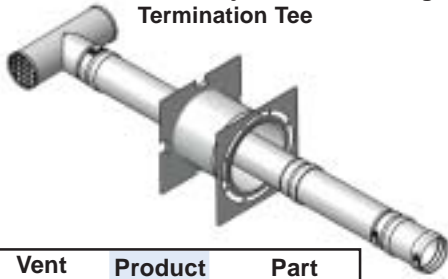
FasNSeal® Tapered Reducer						
Vent Dia.	A	B	C Eff. Lgth	D	Product Number	Part Number
4	3		6.9		300809	FS0403TR
5	4		6.9		300807	FS0504TR

Reducers can be ordered to adjoin any size combination of pieces.

FasNSeal® Universal Appliance Adapter						
Vent Dia.	A	B Eff. Lgth	C	D	Product Number	Part Number
3		5.3			300824	FSAAU3
4		5.3			300825	FSAAU4
5		5.3			300826	FSAAU5
6		5.3			300827	FSAAU6
7		5.3			300828	FSAAU7
8		5.3			300829	FSAAU8
9		5.3			300830	FSAAU9
10		5.3			300831	FSAAU10
12		5.3			300832	FSAAU12
14		5.3			300833	FSAAU14
16		5.3			300834	FSAAU16



**KIT COMPONENTS**  
**FOR CEILING MOUNTED HEATERS**  
 Universal Appliance Adapter  
 2 - 12" Vent Lengths  
 Wall Thimble with Adjustable Vent Length  
 Termination Tee



Vent Dia.	Product Number	Part Number
3	300682	FSCMK3

**KIT COMPONENTS**  
**36" VENT LENGTH**  
**36" ADJUSTABLE VENT LENGTH**

Vent Dia.	Effective Length	Product Number	Part Number
3	36" - 63"	300277	FSUAVLK3
4	36" - 63"	300279	FSUAVLK4



HORIZONTAL TERMINATION

**FasNSeal® Variable Pitch Flashing Kit • Flat to 9/12**

Vent Dia.	Product Number	Part Number
3	300661	FSVPK3
4	300662	FSVPK4
5	300663	FSVPK5
6	300664	FSVPK6
7	300665	FSVPK7
8	300666	FSVPK8
9	300667	FSVPK9
10	300668	FSVPK10
12	300669	FSVPK12
14	300670	FSVPK14
16	300671	FSVPK16

**KIT COMPONENTS**  
 Rain Cap  
 Storm Collar  
 Roof Jack  
 Roof Flashing



VERTICAL TERMINATION

VENT KITS

**KIT COMPONENTS**  
 Wall Thimble with Termination  
 Telescoping Elbow  
 Appliance Adapter

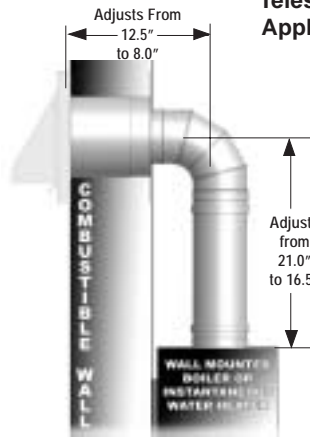
Compatible with most **Bosch** wall mounted water heaters



Vent Dia.	Product Number	Part Number
3	300676	FSWMKB3

Compatible with most **A.O. Smith, Noritz, State, Takagi & Wai Wela** wall mounted water heaters

Vent Dia.	Product Number	Part Number
4	300684	FSWMK4



ULTIMATE ADJUSTABLE VENT LENGTH

WALL MOUNTED BOILERS AND WATER HEATERS

**MULTI PART REFERENCE CHART**

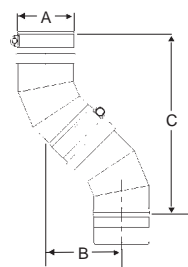
**FasNSeal® 45 Degree Elbow with FasNSeal® Tee**

**Two FasNSeal® 45 Degree Elbows**

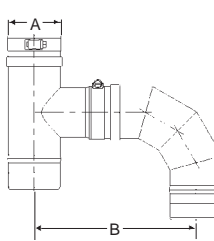
**FasNSeal® 90 Degree Elbow with FasNSeal® Tee**

**Two FasNSeal® 90 Degree Elbows**

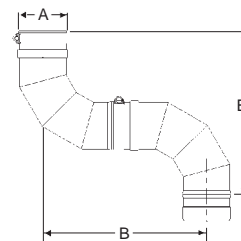
A Vent Dia.	B Eff. Lgth
3	8.8
4	9.6
5	10.5
6	11.4
7	12.2
8	13.1
9	13.9
10	14.8
12	16.1
14	17.5
16	18.8



A Vent Dia.	B	C
3	4.6	11.0
4	4.9	11.8
5	5.2	12.5
6	5.5	13.2
7	5.7	13.9
8	6.0	14.6
9	6.3	15.3
10	6.6	16.0
12	7.2	17.4
14	7.8	18.8
16	8.4	20.2



A Vent Dia.	B Eff. Lgth
3	8.9
4	9.9
5	10.9
6	11.9
7	12.9
8	19.9
9	14.9
10	15.9
12	17.9
14	19.9
16	21.9



A Vent Dia.	B
3	9.8
4	10.8
5	11.8
6	12.8
7	13.8
8	14.8
9	15.8
10	16.8
12	18.8
14	20.8
16	22.8

**Customer Support**

PTS prides itself on providing the best customer service and marketing support in the industry. Our Customer Support Team is available to answer technical questions, set up training seminars, request literature and assist with marketing plans. Please e-mail us at [support@protechinfo.com](mailto:support@protechinfo.com) or call **1.800.766.3473, Monday-Friday**, eastern-standard time.

**Website Convenience**

The PTS website offers information about products that directly effect consumer safety and efficient performance of heating equipment. It is complete with a literature library, allowing the download of brochures, technical specifications and installation instructions. Users should be aware that all information is copyrighted and may not be reproduced or altered without written consent from PTS.

**Marketing Support**

Our Marketing Department is here to help all of us succeed. We have a large selection of literature, direct mail postcards, ad slicks, promotional t-shirts, hats and much more. Take advantage of our co-op advertising program and we'll even help you design the ad, target a direct mail project or come up with creative sales promotions. Call us anytime to request free literature and discuss marketing opportunities available to you.

**Training**

PTS offers a variety of technical and sales training opportunities specializing in venting applications for heating appliances, chimney liners and codes & standards. We will be happy to set up training seminars for you, your contractors and your sales force. Please call our Customer Support Team for details.

# FasNSeal® Special Gas Vent

The First **SILICONE FREE** Vent System for Category II, III, & IV Heating Appliances

Engineering Services are provided. Call **1.800.766.3473** or [engineering@protechinfo.com](mailto:engineering@protechinfo.com)

PARTS LIST		
ITEM	QTY	PART #
1	1	300558
2	1	300223
3	1	300178
4	1	300078
5	5	300063
6	1	300028
7	1	300306
8	1	300364
9	1	300374

**GENERAL NOTES**

1. TYPICAL OF (2) SYSTEMS
2. INSTALL A WALL BRACKET AFTER EVERY TWELVE (12) FEET OF VERTICAL RUN
3. USE NON-COMBUSTIBLE HANGER STRAPS TO SUPPORT HANGERS TO SUPPORT (6) FEET
4. REFER TO THE FasNSeal® INSTALLATION INSTRUCTIONS FOR ADDITIONAL REQUIREMENTS

PROJECT NAME  
**YOUR PROJECT**

PROTECH SYSTEMS, INC.  
400 South Pearl St.  
Albany, NY 12202  
1.800.766.3473  
[www.protechinfo.com](http://www.protechinfo.com)

SAMPLE 1 of 3  
1/10/2005 DRAWN BY: J. McKern  
NTS

This is a sample submittal drawing. The actual layout, parts list, and dimensions will vary depending on the requirements of your specific project.

## FEATURES

- **AL29-4C® superferritic stainless steel**
- **Precision TIG-welded butt seam**
- **Factory built-in, replaceable gaskets**
- **Factory built-in locking band**
- **Wall Thimble with built-in Adjustable Vent Length**
- **Standard Adjustable Vent Length**
- **Proven track record**

## BENEFITS

- Recognized by the AGA as the material of choice.
- Excellent corrosion resistance and structural strength.
- Seams on vent lengths & components are smooth both inside and out. Gas & water-tight.
- System can be taken apart & reassembled quickly.
- No silicone, no cure time, no mess.
- Installs in half the time.
- Line up seams to line up clamps for easy installation.
- No cumbersome tabs.
- No external clamps to lose.
- Wall Thimble allows for built-in horizontal adjustability.
- No need to cut pipe.
- Provides 2" -12" of vertical or horizontal adjustment for easy system pitching.
- Tested and listed by Underwriters Laboratories, Inc. to UL 1738 & ULC-S636.
- Tested and approved by heating equipment manufacturers.
- 15 year warranty.



FasNSeal® is a Heating Contractor's Dream Come True. Simply slide FasNSeal® parts together, tighten the FasClamps and fire up the appliance immediately. You get a clean and professional job that is done NOW!

**PROTECH SYSTEMS, INC.**  
**LEADERS IN VENTING TECHNOLOGY**

400 South Pearl Street • Albany, NY 12202  
518.463.7284 • Fax: 518.463.5271  
**1.800.766.3473**  
sales@protechinfo.com • www.protechinfo.com

Available in 3" - 16" Diameters In Single & Double Wall

